

CONTROLS

- 1 Power switch 1271
- 2 Tone controls 3505/3513
- 3 INFRARED remote sensor 6420
- 4 AUTO SCAN button for scanning preset stations 1413
- 5 AUTO PROGRAM button for autom. programming of preset stations 1414
- 6,7,8,9 SOURCE SELECTION buttons 1401,1402,1403,1404
- 10 DISPLAY 1400
 - shows: * sound sources (Cass, ADD or CD)
 - * in TUNER mode -frequency in kHz or MHz
 - selected wave bands FM or MW
 - stereo
 - preset station number
 - progr. to indicate that the freq. can be programmed
 - * in TIMER mode -the remaining time in minutes until the set will go to stand by.
- 11 BAND selector button 1406
 - In stand by mode: press 10 to go to TIMER mode
- 12 PRESET DOWN for tuning the preset stations 1412
- 13 PRESET UP for tuning the preset stations 1411
- 14 TUNING UP/MINUTES UP: for tuning to higher frequ./timer setting 1410
- 15 TUNING DOWN/MINUTES DOWN: tuning to lower frequ./timer setting 1407
- 16 MONO button - in TIMER mode CLEAR button 1408
- 17 PROGR button: to program preset transmitters 1414
- 18 VOLUME control with LED indic. (flashes while remote controlled) 3500
- 19 BALANCE control 3545
- 20 DYNAMIC Bass Boost button 1405

Tape decks

- 22 MODE lever for selecting the reverse mode
- 23 PAUSE button
- 24 WIND button
- 25 REW button
- 26 PLAY button
- 27 DIRECTION button for reversing the tape direction on deck II.
- 28 STOP/EJECT button
- 29 Fe/CrO2 button for selecting the type of tape. 1070
- 30 HIGH SPEED DUBBING selector 1070
- 31 DOLBY NR button 1070
- 32 RECORD button deck I
- 33 DIRECTION indicators for deck II 6721/6722
- 34 HIGH SPEED DUBBING LED indicator 6725
- 35 DOLBY NR LED indicator 6724

CONNECTIONS

- A LOUDSPEAKER terminals for 2 or 4 loudspeakers >8 Ohm 1272
- B FM antenna terminal 300 Ohm/75 Ohm 5131/1104
- C CD IN for connecting a compact disc player 1554
- D AUX/TV IN for the sound channel of a TV set etc. 1554
- E PHONO IN for a record player with a magnetodyn. element 1554
- F PHONO SUPPLY socket for a record player without its own supply 1286
- G REMOTE RC5 OUT - can be used with the REMOTE IN of a CD player 1273
- H MAINS CABLE
- 21 PHONES socket for stereo headphones 32-1000 Ohm 1274

TEST PROCEDURE

The Test Procedure enables the loading of the EEROM with the initial preset frequencies and the check of the display.

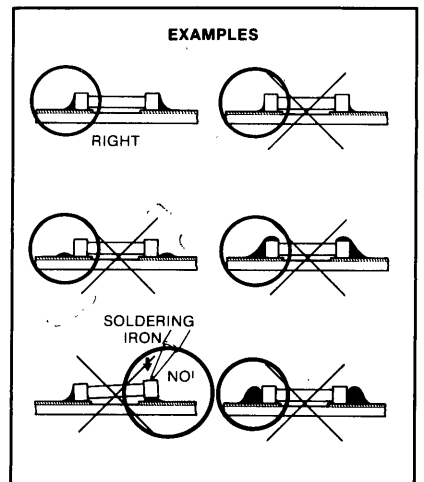
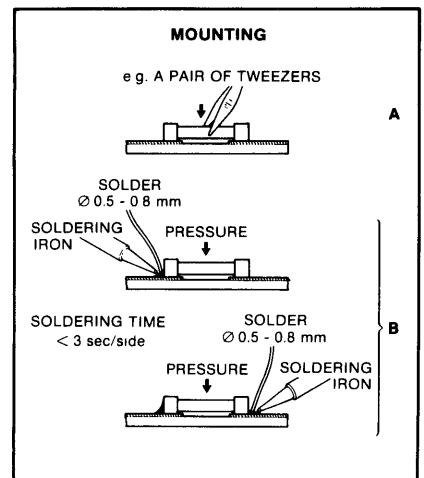
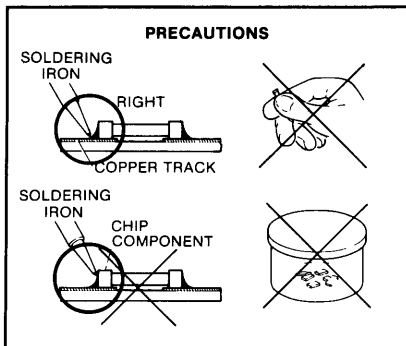
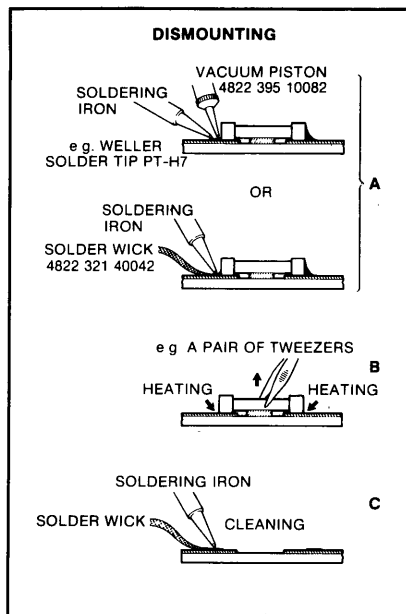
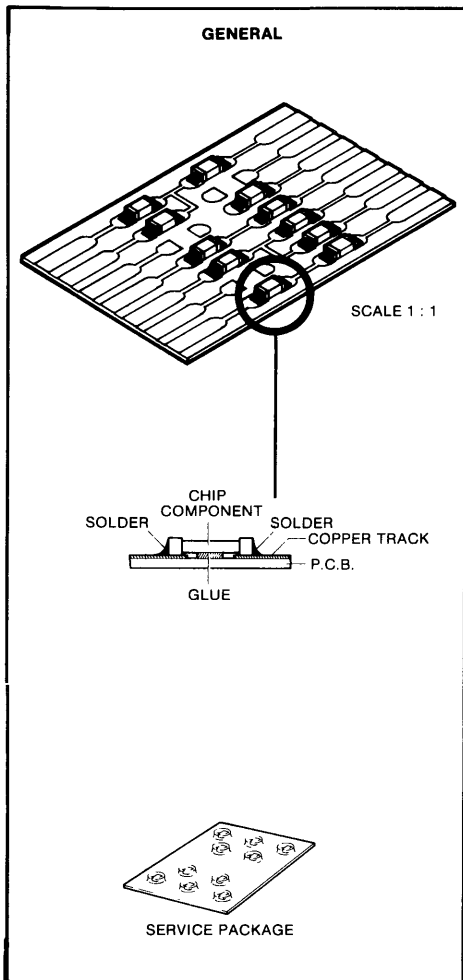
To start the Test Procedure hold **PROGR** and **PRESET UP** depressed while switching Power on.
 After loading the EEROM all segments of the display are switched on until the keys **PROGR** and **PRESET UP** are released.
 After the keys have been released the normal program starts and the following stored frequencies can be checked:

	2 - band version	3 - band version
	FM (MHz)	FM (MHz)
Last tuned	108,0	108,0
0	87,5	87,5
1	97	97
2	98	98
3	99	99
4	108,0	108,0
	MW (kHz)	MW (kHz)
5	522	522
6	567	567
7	603	603
8	1278	1278
9	1494	1494
10	1611	1611
	FM (MHz)	LW (kHz)
11	87,5	148
12	87,5	155
13	87,5	200
14	87,5	275
15	87,5	284
	miscellaneous	miscellaneous
16	87,5	87,5
17	88,3	88,3
18	87,5	87,5
19	87,5	87,5
20	87,5	87,5
21	97,75	97,75
22	1575	1575
23	87,5	87,5
24	96,5	96,5
25	549	549
26	89,7	89,7
27	104,9	104,9
28	1602	1602
29	87,5	87,5
30	87,5	87,5
31 - 40	87,5	87,5

REMOTE CONTROL

: RC5 code

FUNCTION	COMMAND CODE	DEVICE	SYSTEM-CODE
AMPLIFIER		Amplifier	<24 *
Stand by	12	Tuner	17
Volume up	16	Cassette	18
Volume down	17	CD	20/12
Source (Tuner, Cass, CD, TV/Aux)	63	TV/Aux	<24 *
TUNER			* except 12,17,18,20
10 keypath	0-9		
Memory open/close	41		
Frequ. up	52		
Frequ. down	50		
Preset up	32		
Preset down	33		
Wave band scroll	46		
(Preset) Intro scan	43		
Mono	37		



27 012C12

	Carbon film 0.2 W 70°C 5%		Ceramic plate Tuning ≤ 120 pF NP.0 2% Others -20/+80%	*a = 2,5 V b = 4 V c = 6,3 V d = 10 V e = 16 V f = 25 V g = 40 V h = 63 V j = 100 V l = 125 V m = 150 V n = 160 V q = 200 V r = 250 V s = 300 V t = 350 V u = 400 V v = 500 V w = 630 V x = 1000 V A = 1,6 V B = 6 V C = 12 V D = 15 V E = 20 V F = 35 V G = 50 V H = 75 V I = 80 V
	Carbon film 0.33 W 70°C 5%		Polyester flat foil 10%	
	Metal film 0.33 W 70°C 5%		Metalized polyester flat film 10%	
	Carbon film 0.5 W 70°C 5%		Polyester flat foil small size (Mylar) 10%	
	Carbon film 0.67 W 70°C 5%		Polysterene film/foil 1%	
	Carbon film 1.15 W 70°C 5%		Tubular ceramic	
			Miniature single	
			Subminiature tantalum ± 20%	
	Chip component			

27 037A/C

ECO 3 TUNER

FM FRONTEND

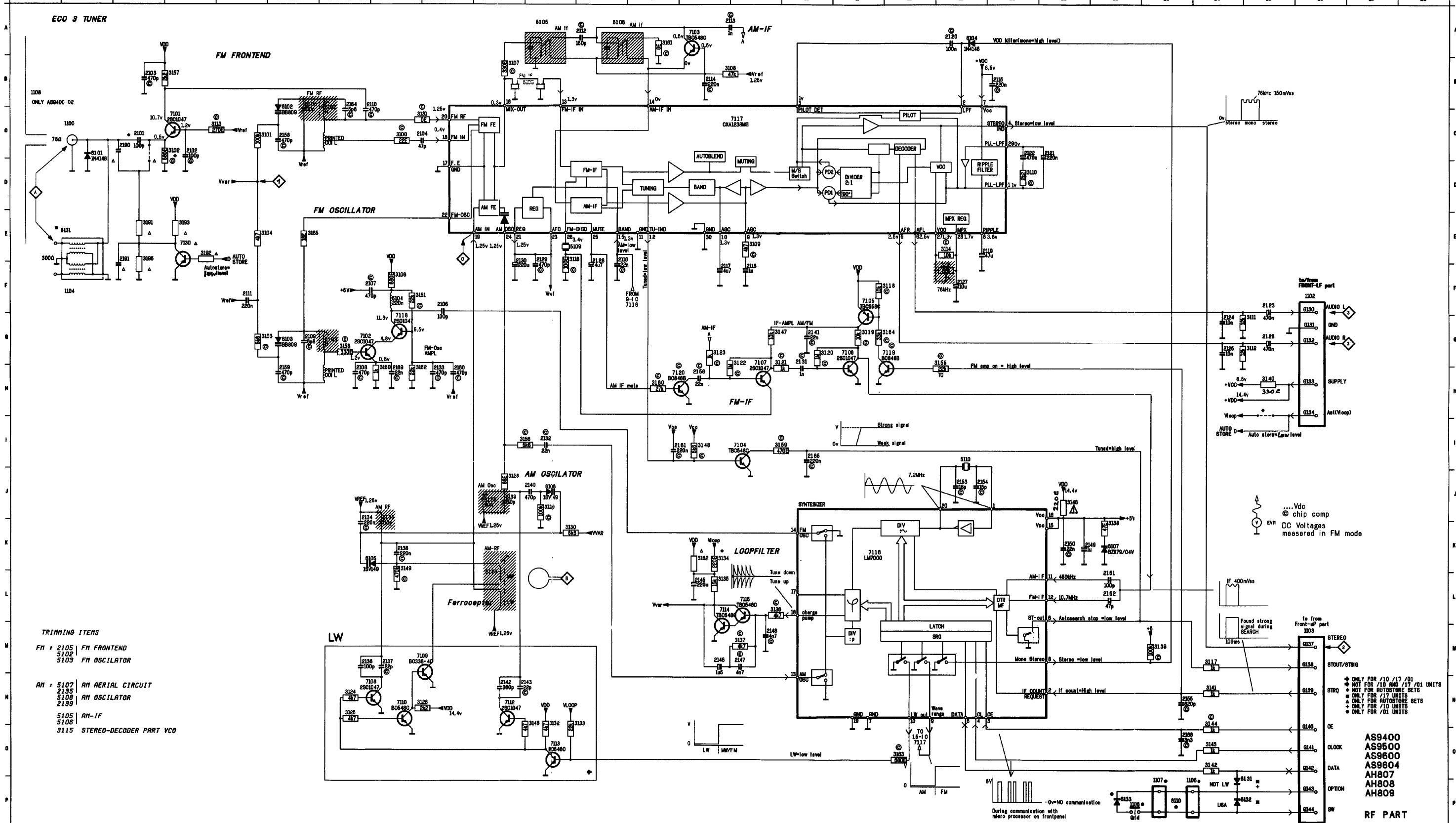
FM OSCILLATOR

AM OSCILLATOR

LOOPFILTER

SYNTHESIZER

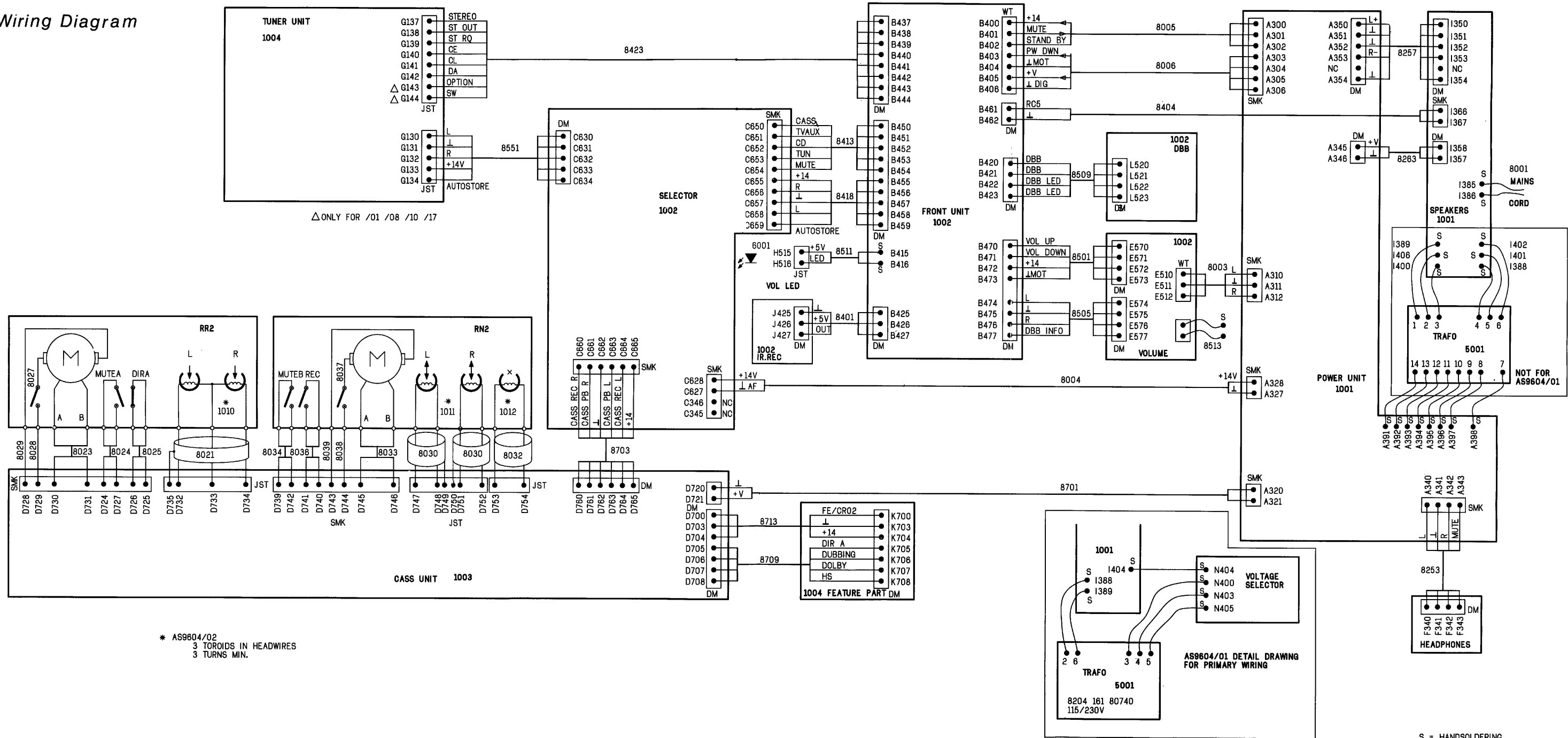
- TRIMMING ITEMS**
- FM : 2105 FM FRONTEND
 - 5102
 - 5103 FM OSCILLATOR
 - AM : 5107 AM AERIAL CIRCUIT
 - 2135
 - 5108 AM OSCILLATOR
 - 2139
 - 5105 AM-IF
 - 5106
 - 3115 STEREO-DECODER PART VCO



- * ONLY FOR /10 /17 /01
- * NOT FOR /19 AND /17 /01 UNITS
- * NOT FOR AUTOTUNE SETS
- * ONLY FOR /17 UNITS
- * ONLY FOR AUTOTUNE SETS
- * ONLY FOR /10 UNITS
- * ONLY FOR /01 UNITS

- AS9400**
AS9500
AS9600
AS9604
AH807
AH808
AH809
- RF PART**

Wiring Diagram

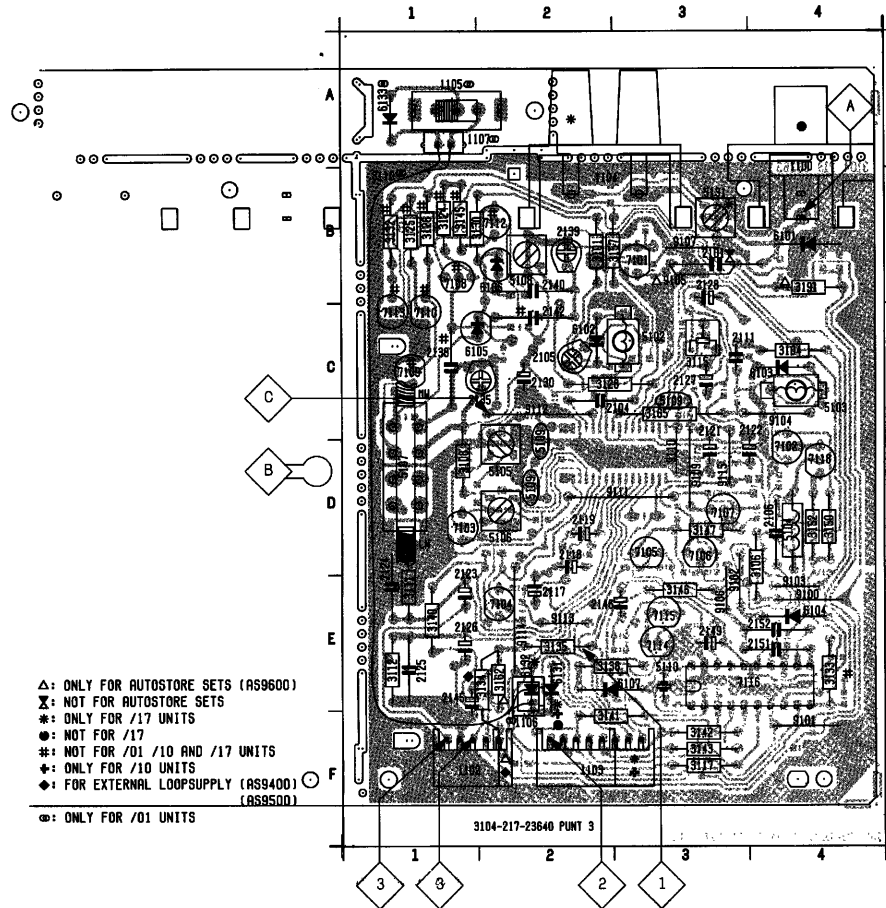


* AS9604/02
3 TOROIDS IN HEADWIRES
3 TURNS MIN.

AS9604/01 DETAIL DRAWING FOR PRIMARY WIRING

S = HANDSOLDERING

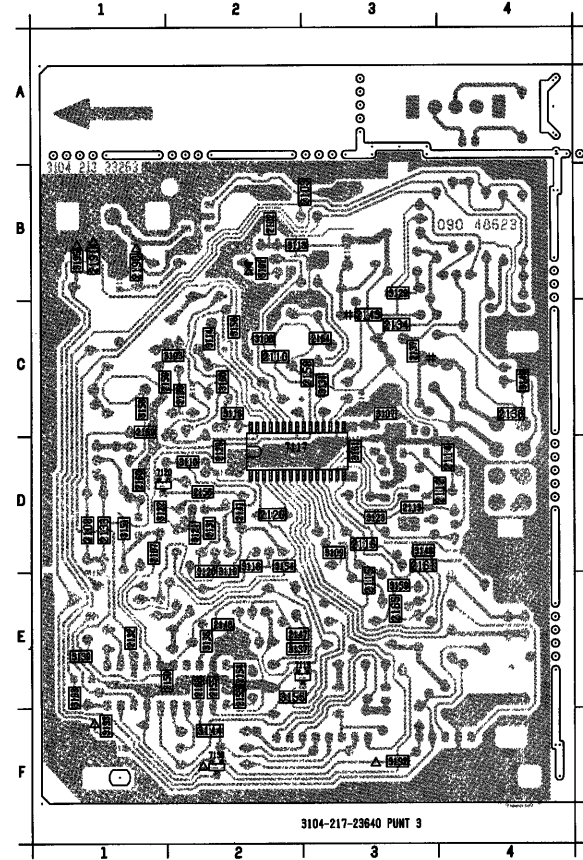
ECO 3 TUNER BOARD / Component side view



- 1180 R 4 5102 C 3
- 1182 F 1 5105 C 4
- 1103 F 2 5104 D 4
- 1104 B 2 5105 D 2
- 1105 H 1 5106 D 2
- 1106 F 2 5107 D 1
- 1107 A 2 5108 B 2
- 2101 B 3 5109 C 3
- 2104 C 3 5109 D 2
- 2105 C 2 5109 D 2
- 2106 D 4 5110 E 3
- 2111 C 3 5131 B 3
- 2117 E 2 6101 B 4
- 2118 D 2 6102 C 2
- 2119 D 2 6103 C 4
- 2121 C 3 6104 E 4
- 2122 C 4 6105 C 2
- 2123 E 1 6106 B 2
- 2124 D 1 6107 E 3
- 2125 E 1 6131 E 2
- 2126 D 1 6132 E 2
- 2127 C 3 6133 R 1
- 2128 B 3 7101 B 3
- 2130 C 2 7102 D 4
- 2135 C 2 7103 D 1
- 2136 C 1 7104 E 2
- 2139 B 2 7105 D 3
- 2140 C 2 7106 D 3
- 2142 C 2 7107 D 3
- 2145 E 1 7108 B 1
- 2146 E 2 7109 C 1
- 2149 E 3 7110 C 1
- 2151 E 4 7112 B 2
- 2152 E 4 7113 C 1
- 3101 B 2 7114 E 3
- 3104 C 4 7115 E 3
- 3106 D 4 7116 E 4
- 3108 D 1 7118 B 4
- 3111 E 1 8110 B 1
- 3112 C 1 8100 E 4
- 3115 C 3 9101 F 4
- 3117 F 3 9102 E 3
- 3124 B 1 9103 C 4
- 3125 B 1 9104 C 4
- 3128 D 1 9106 E 3
- 3129 C 2 9107 B 3
- 3130 B 2 9109 D 3
- 3132 B 1 9110 D 3
- 3133 E 4 9111 D 3
- 3134 E 2 9112 C 2
- 3135 E 2 9113 C 2
- 3138 E 2 9114 E 2
- 3140 E 1 9115 D 3
- 3141 F 2
- 3142 F 3
- 3143 F 3
- 3145 B 1
- 3146 E 3
- 3147 D 3
- 3150 D 4
- 3152 D 4
- 3157 B 3
- 3162 E 2
- 3165 C 3
- 3191 B 4

- Δ: ONLY FOR AUTOSTORE SETS (AS9600)
- X: NOT FOR AUTOSTORE SETS
- *: ONLY FOR /17 UNITS
- #: NOT FOR /D1 /10 AND /17 UNITS
- †: ONLY FOR /10 UNITS
- ‡: FOR EXTERNAL LOOP SUPPLY (AS9400) (AS9500)
- ⊙: ONLY FOR /01 UNITS

ECO 3 TUNER BOARD / Copper side view

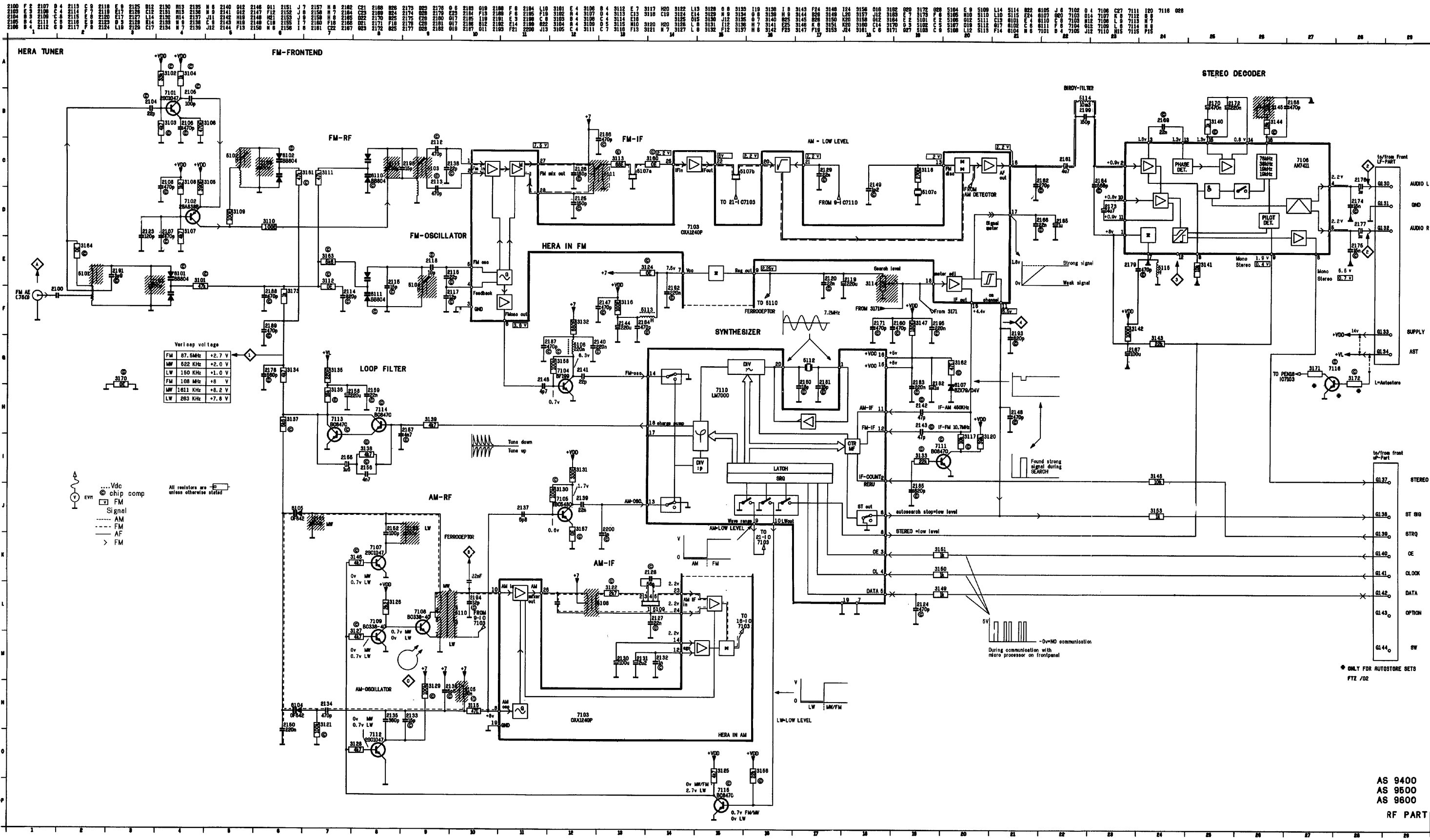


- 2102 B 2 3156 C 2
- 2103 B 3 3158 C 1
- 2107 D 1 3159 E 3
- 2108 D 1 3160 L 2
- 2109 C 2 3161 D 3
- 2110 C 2 3163 E 1
- 2112 D 4 3192 F 3
- 2113 D 3 3193 F 1
- 2114 D 4 3195 B 1
- 2115 E 3 3111 D 2
- 2120 D 2 7120 D 1
- 2129 D 2 7130 F 2
- 2131 D 2
- 2132 E 1
- 2133 D 1
- 2134 C 3
- 2137 C 3
- 2138 C 4
- 2141 D 2
- 2143 C 3
- 2147 E 2
- 2148 E 2
- 2150 E 3
- 2151 E 2
- 2152 E 2
- 2154 E 2
- 2155 E 2
- 2156 D 2
- 2158 C 3
- 2159 C 3
- 2160 D 1
- 2161 D 3
- 2164 C 3
- 2165 E 3
- 2168 E 2
- 2169 C 1
- 2190 B 1
- 2191 B 1
- 3100 C 2
- 3102 B 2
- 3103 C 2
- 3107 C 3
- 3109 B 3
- 3110 B 2
- 3113 B 2
- 3114 C 2
- 3116 C 2
- 3118 D 2
- 3119 D 2
- 3120 D 2
- 3121 D 2
- 3122 D 1
- 3123 D 3
- 3129 B 3
- 3131 C 3
- 3136 E 2
- 3137 E 2
- 3138 E 3
- 3144 F 2
- 3148 D 1
- 3149 C 4
- 3151 D 1
- 3154 D 2
- 3155 E 2

TUNER Adjustment table

WAVERANGE	INPUT FREQU.	I/P	SET TUNED TO	ADJUST	O/P	SCOPE/METER
VARICAP ALIGNMENT						
FM 87.5 - 108 MHz			108 MHz	5103	1	8 V
			87.5 MHz	check		2.9 +/- 0.3 V
MW 522 - 1611 kHz			1611 kHz	2139	1	8.5 V
LW 148 - 284 kHz			284 kHz	5108		8.5 V
MW 2-band version 522 - 1611 kHz			1611 kHz	2139	1	8.5 V
			522 kHz	5108		1.2 V
FM - RF						
FM	87.5 MHz mod = 1kHz Δf=22.5kHz	A	87.5 MHz	5102	3	max. ↑
	108 MHz mod = 1kHz Δf=22.5kHz		108 MHz	2105		
Stereo decoder						
FM	98 MHz carrier 1mV	A	98 MHz	3115	2	76 +/- 0.2 kHz
AM - IF						
MW	522 kHz * Δf=10kHz (50Hz)	C	522 kHz	5106 5105	3	max. symmetrical
AM - RF						
MW +o	558 kHz	B	558 kHz	5107 (MW)	3	max. ↑
	1494 kHz		1494 kHz	2135		
LW	200 kHz		200 kHz	5107 (LW)		

↑ Repeat
 * via 100 nF (Generator impedance <75 Ohm)
 + mod = 1kHz, 30% AM
 o Put LW-coil (5107) in expected position first.



Variable capacitor voltages

FM	87.5kHz	+2.7 V
MW	622 KHz	+2.0 V
LW	150 KHz	+1.0 V
FM	108 MHz	+8 V
MW	1011 KHz	+8.2 V
LW	263 KHz	+7.6 V

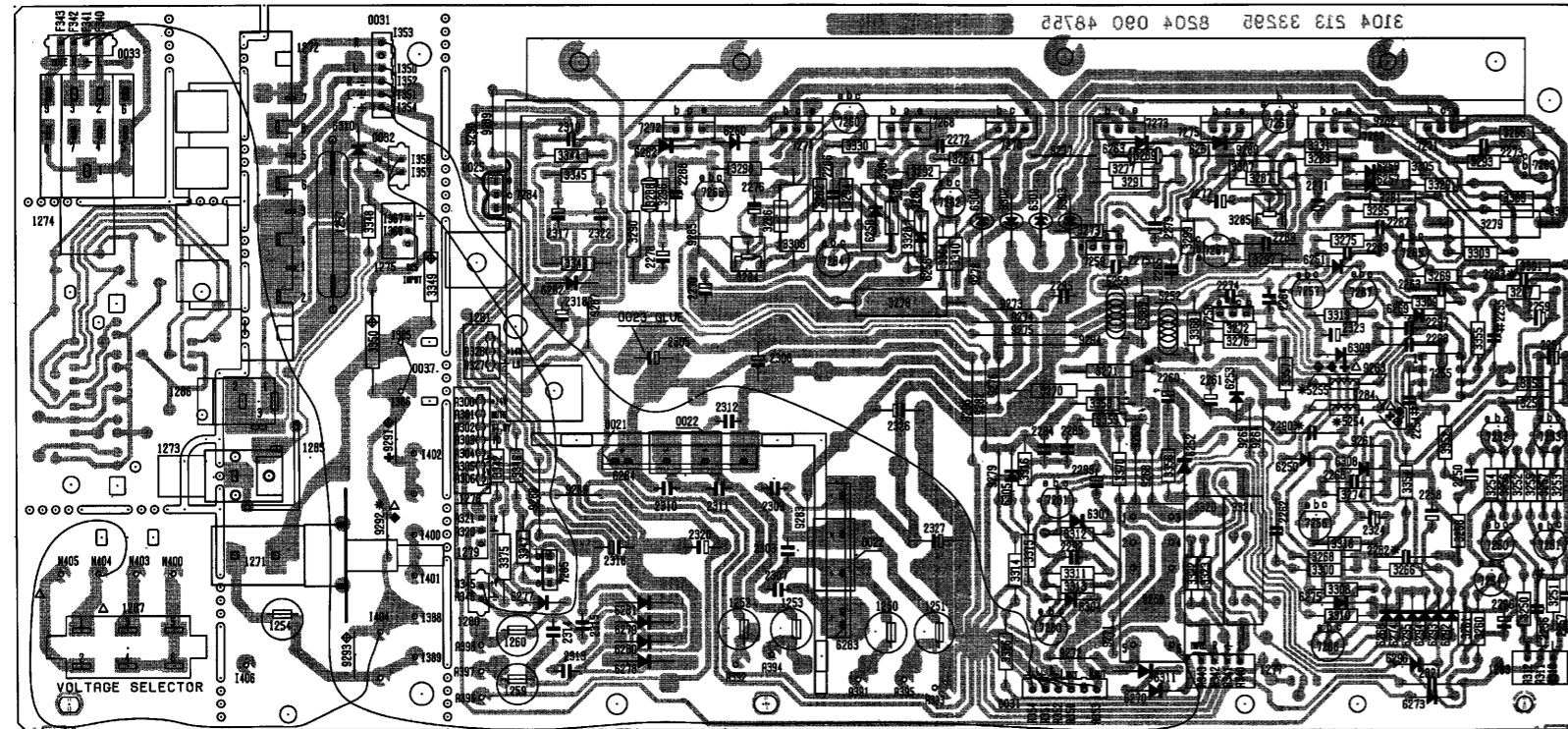
- ... Vdc
- chip
- comp
- FM
- Signal
- AM
- FM
- AF
- FM

All resistors are $\frac{1}{4}$ W unless otherwise stated

AS 9400
AS 9500
AS 9600
RF PART

0021 D 5 1250 F 7 1270 D 2 1286 D 2 2260 D 9 2272 D 8 2284 D 8 2296 F12 2312 D 6 2322 C 5 3255 E12 3267 C12 3277 D 9 3287 B10 3297 C10 3307 B10 3318 E11 3331 B10 3340 C 4 3364 C 8 3255 D10 3261 B10 3278 F 5 3285 F11 6309 D11 7257 C10 7267 C10 7281 E 8 8268 E 8 9279 E 8 9290 D 4
0022 E 7 1251 F 8 1274 C 1 1287 F 2 2261 D10 2273 B12 2285 D 9 2297 D11 2314 F 5 2324 E11 3257 E12 3269 C11 3278 C12 3288 D 8 3298 C 5 3308 E11 3319 E11 3340 C 4 3364 D 3 3365 C12 3250 C10 3262 B 8 6266 F 5 3300 C 8 6311 F 9 7259 C 9 7268 B11 7285 E 5 9271 F 9 9282 D 8 9292 E 3
0023 C 6 1252 F 8 1277 F10 2251 B11 2263 C11 2275 C 9 2287 C11 2303 E 8 2315 F 5 2326 D 7 3258 E11 3270 D 8 3280 C 7 3290 C 5 3300 E10 3310 F11 3321 E10 3342 E 4 3363 D12 3368 C 9 8252 D 8 8268 F11 9281 F 5 9301 C 8 7250 E12 7260 B 7 7278 B 8 7286 F10 9272 F 9 9285 E 7 9295 F 3
0025 D 4 1254 F 3 1278 E 4 2254 B11 2264 C10 2276 B 6 2286 B 6 2296 E 5 2327 E 8 3259 D12 3271 D 9 3281 C11 3291 B 9 3301 C12 3311 E 9 3322 E 9 3343 C 5 3354 E11 3370 E 9 8253 D10 8269 C11 8282 C 5 8302 C 8 7251 E12 7261 B10 7271 B11 7287 C11 9273 C 6 9284 D11 9294 D 9
0031 F 8 1257 C 3 1278 E 4 2255 C12 2265 C 9 2277 C10 2289 C10 2306 D 6 2317 C 5 3250 F12 3260 F12 3272 D10 3282 C 7 3292 D 9 3281 C11 3291 B 9 3301 C12 3311 E 9 3322 E 9 3343 C 5 3354 E11 3370 E 9 8253 D10 8269 C11 8282 C 5 8302 C 8 7251 E12 7261 B10 7271 B11 7287 C11 9273 C 6 9284 D11 9294 D 9
0031 F 8 1257 C 3 1278 E 4 2255 C12 2265 C 9 2277 C10 2289 C10 2306 D 6 2317 C 5 3250 F12 3260 F12 3272 D10 3282 C 7 3292 D 9 3281 C11 3291 B 9 3301 C12 3311 E 9 3322 E 9 3343 C 5 3354 E11 3370 E 9 8253 D10 8269 C11 8282 C 5 8302 C 8 7251 E12 7261 B10 7271 B11 7287 C11 9273 C 6 9284 D11 9294 D 9
0031 F 8 1257 C 3 1278 E 4 2255 C12 2265 C 9 2277 C10 2289 C10 2306 D 6 2317 C 5 3250 F12 3260 F12 3272 D10 3282 C 7 3292 D 9 3281 C11 3291 B 9 3301 C12 3311 E 9 3322 E 9 3343 C 5 3354 E11 3370 E 9 8253 D10 8269 C11 8282 C 5 8302 C 8 7251 E12 7261 B10 7271 B11 7287 C11 9273 C 6 9284 D11 9294 D 9
0032 B 3 1258 F 4 1280 C 4 2256 F12 2268 E11 2278 C 5 2290 D10 2307 E 6 2318 C 5 3251 F12 3261 F12 3273 C 9 3283 D10 3293 C 12 3313 E 9 3324 F 8 3345 E 9 3250 F 9 9257 B11 9279 F11 9284 E 5 9304 F 9 7253 D12 7263 B12 7273 B 9 9282 B11 9275 D 8 9286 E 5
0032 B 3 1258 F 4 1280 C 4 2256 F12 2268 E11 2278 C 5 2290 D10 2307 E 6 2318 C 5 3251 F12 3261 F12 3273 C 9 3283 D10 3293 C 12 3313 E 9 3324 F 8 3345 E 9 3250 F 9 9257 B11 9279 F11 9284 E 5 9304 F 9 7253 D12 7263 B12 7273 B 9 9282 B11 9275 D 8 9286 E 5
0033 R 2 1271 E 2 1283 F12 2259 E11 2270 C 6 2282 E11 2293 E 8 2310 E 6 2320 E 6 3253 E12 3265 B12 3275 C11 3295 C10 3295 C11 3305 B11 3315 E 8 3329 B11 3347 E 4 3359 D 9 8259 B11 8275 F10 8283 F11 8307 E 9 7255 D11 7285 C11 7275 B 9 9264 D10 9277 B 8 9286 E 5
0037 D 4 1272 R 3 1285 C 3 2259 D 2 2271 B10 2283 C12 2295 C 8 2311 E 6 2321 F11 3254 E12 3266 E11 3276 C10 3286 C 6 3296 C 6 3316 E 8 3330 D 7 3348 C 3 3359 D 11 8260 B 6 8277 F 4 8284 F11 8306 E11 7256 E10 7266 C 6 7280 F 8 9265 D10 9278 B 8 9288 B 4

POWER BOARD / COMPONENT SIDE VIEW



◆ ONLY FOR AS9804/17 3104-217-25090 : 3349 3350 9291 9293 9283 9284
◆ ONLY FOR AS9804/00 3104-217-24480 : 9292 9283 9284
* ONLY FOR AS9804/02 3104-217-25940 : 9292 2282 2283 2290 5254 5255
* ONLY FOR AS9804/05 3104-217-25950 : 9291 9283 9284
AS9804/08 3104-217-25940
AS9804/10 3104-217-26950
** NOT FOR AS9804/02 3104-217-25940 : 2254 2255 2256 2257
3104-217-25090 5 DATE 90-AS9804/08 3104-217-25940

P-5

TUNER: ADJUSTMENT TABLE (Hera AS960.)

FM-MW-LW

SK						
----	--	--	--	--	--	--

Varicap alignment

FM 87.5 - 108 MHz	108 MHz	5104		= 8 V
	87.5 MHz	check		= 2.7 V
LW 148 - 284 kHz	284 kHz	5105		= 7.8 V
	148 kHz	check		= 1.0 V
MW 522 - 1611 kHz	1611 kHz	check*		= 8.2 V
	522 kHz	check		= 2.0 V

MOUNTED AT A DI DISTANCE FROM THE PCB

- 3270 8mm
- 3271 8mm
- 3278 15mm
- 3279 15mm
- 3280 8mm
- 3281 8mm
- 3290 8mm
- 3291 8mm
- 3304 8mm
- 3305 8mm
- 3306 8mm
- 3307 8mm
- 3320 8mm
- 3321 8mm
- 6300 12mm
- 6301 12mm
- 6302 12mm
- 6303 12mm

FM-RF

FM	87.5 MHz $\Delta f = 500$ kHz		87.5 MHz	5103		max.
			5102	5101		
FM	108 MHz $\Delta f = 500$ kHz		108 MHz	2111		max.
				2109		
				2103		

FM-IF

FM	108 MHz $\Delta f = 500$ kHz		108 MHz	5111		Symm + Linear
----	---------------------------------	--	---------	------	--	---------------

Stereo decoder/Search sensitivity

FM	98 MHz carrier		98 MHz	3145 ^o		19 ± 0.05 kHz
	98 MHz 12 μV		98 MHz	3114		

AM-IF

MW	450 kHz $\Delta f = 10$ kHz (50 Hz)		via 100 nF	1611 kHz	5108		Symmetrical MAX. fo
----	-------------------------------------------	--	------------	----------	------	--	---------------------------

AM-RF (begin with MW)

MW	603 kHz***		603 kHz	5110 (MW)		max.
	1494 kHz***		1494 kHz	2151		
LW	155 kHz***		155 kHz	5110 (LW)		max.
	275 kHz***		275 kHz	2153		

*** Mod 1 kHz 30 % AM

o Ground pin 9 of 7106 (stereo dec)

* If Vtune > 8.5 V readjust 5105 at 1611 kHz to Vtune = 8.5 V and check if Vtune ≥ 0.7 V at 148 kHz.

† Repeat -Herhalen - Répéter - Wiederholen - Ricominciare - Repetera - Gentage - Gjentagelse - Toista

Adjustment	Cassette	Recorder	Measure on	Read on	Adjust with	Adjust to
Motor speed	SBC 420 3150 Hz	play A (II) play B (I)	① or ② or speaker out	frequency counter	3776 3774	6300 Hz ± 3% 6300 Hz ± 3%
Normal speed		play A (II) play B (I)		Wow and flutter-meter	3777 3775	0 ± 1% 0 ± 1%
Wow and Flutter	SBC 420 3150 Hz	play A (II) play B (I)	① ② or speaker out	Wow and flutter-meter		check if ≤ 0,3%
Azimuth	SBC 420 10kHz	play A (II) play B (I)	① ② or speaker out	mV-meter	Right hand screw (normal direction) Left hand screw (reverse direction) Left hand screw	max. output left= right

For adjustment of azimuth cassette flaps (407, 411) have to be removed.

Adjustment	Source	Recorder	Measure on	Read on	Adjust with	Adjust to
Play back-sensitivity	Dolby reference level-cassette	Play A (II) Play B (I)	left ① (D763) right ② (D761) left ① right ②	mV-meter mV-meter	Check	775mV ± 2 dB 775mV ± 2 dB 775mV ± 2 dB
Recording-sensitivity 1)	Dolby off Cr-position input signal at ④ ⑧ 500 mV/315 Hz	Rec. B (I)	3703 left ③ ↔ ④ 3704 right ⑤ ↔ ⑥	mV-meter	Check	1,8 mV* ± 2 dB 1,8 mV* ± 2 dB (in Fe mode 3,5 ± 0,5 dB lower)
Bias	Dolby off Cr-position	Rec. B (I)	3703 left ③ ↔ ④ 3704 right ⑤ ↔ ⑥	mV-meter	3715 left 3716 right	13 mV + 13 mV + (in Fe-mode 3,5 ± 1 dB lower)
Erase oscillator		Rec. B (I)	Erase head D753/D754	mV-meter frequency counter		check: Cr 33 V ± 5 V Fe 22 V ± 4 V f=74 ± 6 kHz

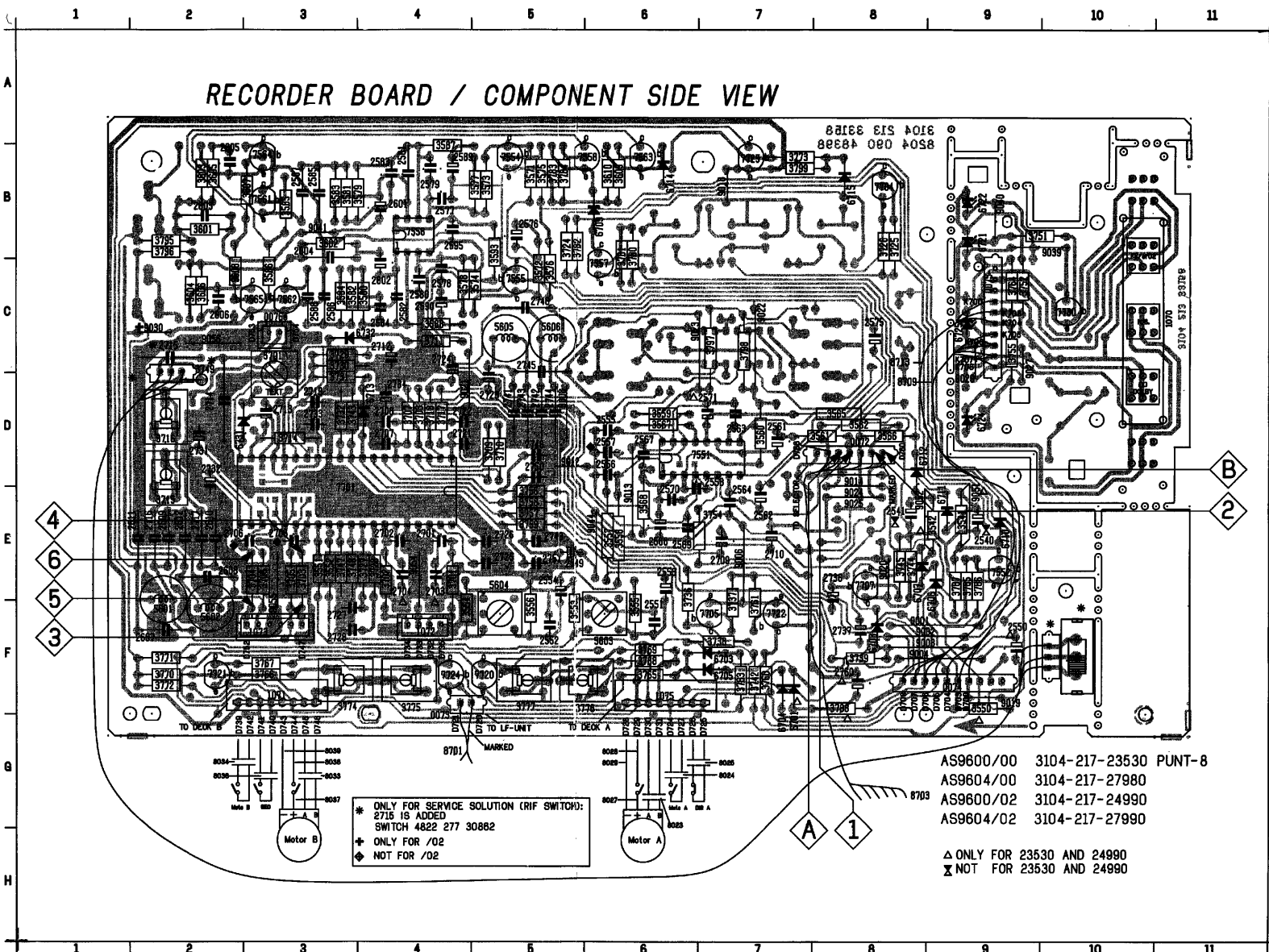
* Make a record and check if recorded signal gives 775 mV ± 2 dB on ① and ② in play back. Distortion ≤ 3 %.

+ If sensitivity, distortion or frequency response are wrong, then readjust bias and check again.

1) To switch bias oscillator off connect pins 14, 16 and 18 of 7701 together.

2) To switch to high speed in play mode, connect base of 7725 to ground.

0072 D 8 2738 D 2 3739 C 3 7538 B 6
0073 F 4 2739 D 3 3731 D 3 7581 B 3
0074 F 8 2734 D 4 3732 E 6 7582 C 3
0075 C 9 2736 E 8 3736 E 6 7583 B 6
0076 C 3 2737 F 8 3737 E 7 7584 B 3
1070 C11 2741 D 5 3738 F 7 7585 C 3
1071 F 3 2742 D 5 3739 F 8 7701 E 3
1072 F 4 2743 D 5 3742 F 7 7704 B 8
1073 F 3 2744 D 5 3743 D 3 7705 F 7
1075 F 6 2745 C 5 3744 E 8 7707 E 8
2540 E 8 2748 C 5 3745 E 8 7720 F 5
2541 E 8 2748 D 5 3747 E 7 7721 F 2
2549 E 5 2749 F 5 3748 E 7 7722 F 7
2550 F 4 2750 D 5 3749 C 2 7724 F 4
2551 F 6 2751 E 5 3751 B 9 7725 E 7
2552 F 5 2760 F 8 3752 E 9 7730 C10
2553 E 6 3541 E 9 3754 E 7 8701 B 4
2554 E 5 3542 E 9 3755 C 8 8703 E 7
2555 D 6 3550 F 9 3756 E 8 8709 D 7
2556 D 6 3551 E 3 3757 E 5 8713 C 8
2557 D 6 3552 E 3 3758 E 5 9001 F 8
2558 D 7 3553 F 5 3759 E 5 9002 F 9
2581 D 7 3554 F 4 3760 F 7 9003 F 9
2582 E 7 3555 F 5 3763 F 7 9006 E 7
2583 D 7 3556 F 5 3763 F 7 9006 E 7
2584 E 7 3557 E 6 3764 C 9 9008 D 5
2586 E 6 3558 E 6 3765 F 6 9012 D 5
2587 D 6 3559 D 6 3766 F 9 9013 E 6
2589 E 6 3560 F 7 3767 E 9 9014 D 8
2570 E 6 3561 D 6 3768 F 8 9018 E 7
2571 D 7 3562 D 6 3769 F 6 9019 F 8
2575 C 8 3565 D 8 3770 F 2 9020 E 9
2576 E 5 3566 D 8 3771 F 6 9021 D 4
2577 F 4 3567 E 6 3772 E 8 9022 C 7
2578 C 4 3568 E 6 3773 B 7 9023 C 6
2579 D 4 3571 E 5 3774 F 3 9024 E 8
2580 C 4 3572 C 5 3775 F 4 9025 E 8
2581 D 4 3573 E 5 3776 F 6 9027 C 9
2582 C 4 3574 C 5 3777 F 7 9029 D 9
2583 B 9 3575 E 6 3778 B 8 9030 C 2
2584 C 4 3576 E 5 3781 B 6 9039 B10
2585 B 3 3577 E 5 3782 B 5 9040 B 9
2586 C 3 3578 C 4 3783 B 5 9041 B 3
2587 D 3 3579 E 4 3784 B 5 9044 E 8
2588 C 9 3580 C 3 3785 E 9 9051 E 6
2589 B 4 3581 B 3 3786 E 9 9052 E 4
2590 C 4 3582 C 3 3787 E 9 9054 E 4
2595 B 4 3583 B 3 3788 F 8 9055 F 3
2601 B 4 3584 C 3 3785 B 2 9056 C 2
2602 C 4 3585 B 3 3786 C 7
2603 B 2 3586 C 3 3787 C 7
2604 B 3 3587 B 4 3788 C 7
2605 D 2 3588 C 4 3789 B 7
2606 C 2 3589 E 5 5801 F 2
2607 F 2 3601 B 2 5802 F 2
2608 E 2 3602 B 3 5803 F 6
2609 E 2 3603 B 2 5804 E 5
2610 E 2 3604 C 2 5805 C 5
2611 E 2 3605 B 2 5806 C 5
2612 E 2 3606 C 2 5701 C 3
2701 E 4 3607 B 3 6701 D 7
2702 E 4 3608 C 2 6703 F 7
2703 E 4 3609 B 6 6704 B 7
2704 E 4 3610 B 6 6705 F 7
2705 E 3 3701 E 4 6706 E 9
2706 E 2 3702 C 4 6707 F 8
2707 D 4 3703 E 3 6708 F 8
2708 D 4 3704 E 3 6709 B 6
2709 E 7 3705 E 3 6710 E 9
2710 E 7 3706 C 3 6711 E 9
2712 C 4 3707 D 4 6712 D 9
2713 D 3 3708 D 4 6713 D 4
2714 D 2 3709 D 5 6714 B 6
2715 -072-2719 8 58016 846-12-07 C.A.D
2716 E 2 3711 C 4 6721 B 9
2717 E 2 3714 C 4 6722 E 9
2719 D 3 3715 E 2 6724 D 9
2721 D 4 3716 D 2 6725 C 9
2722 D 4 3717 D 4 6731 D 2
2723 D 5 3718 D 4 6732 C 4
2724 C 4 3724 E 5 7551 D 7
2725 E 5 3725 B 8 7552 E 9
2726 E 5 3726 B 8 7554 B 5
2727 F 3 3727 E 4 7555 C 5
2728 F 3 3728 C 4 7556 B 4
2731 D 2 3729 C 3 7557 C 4

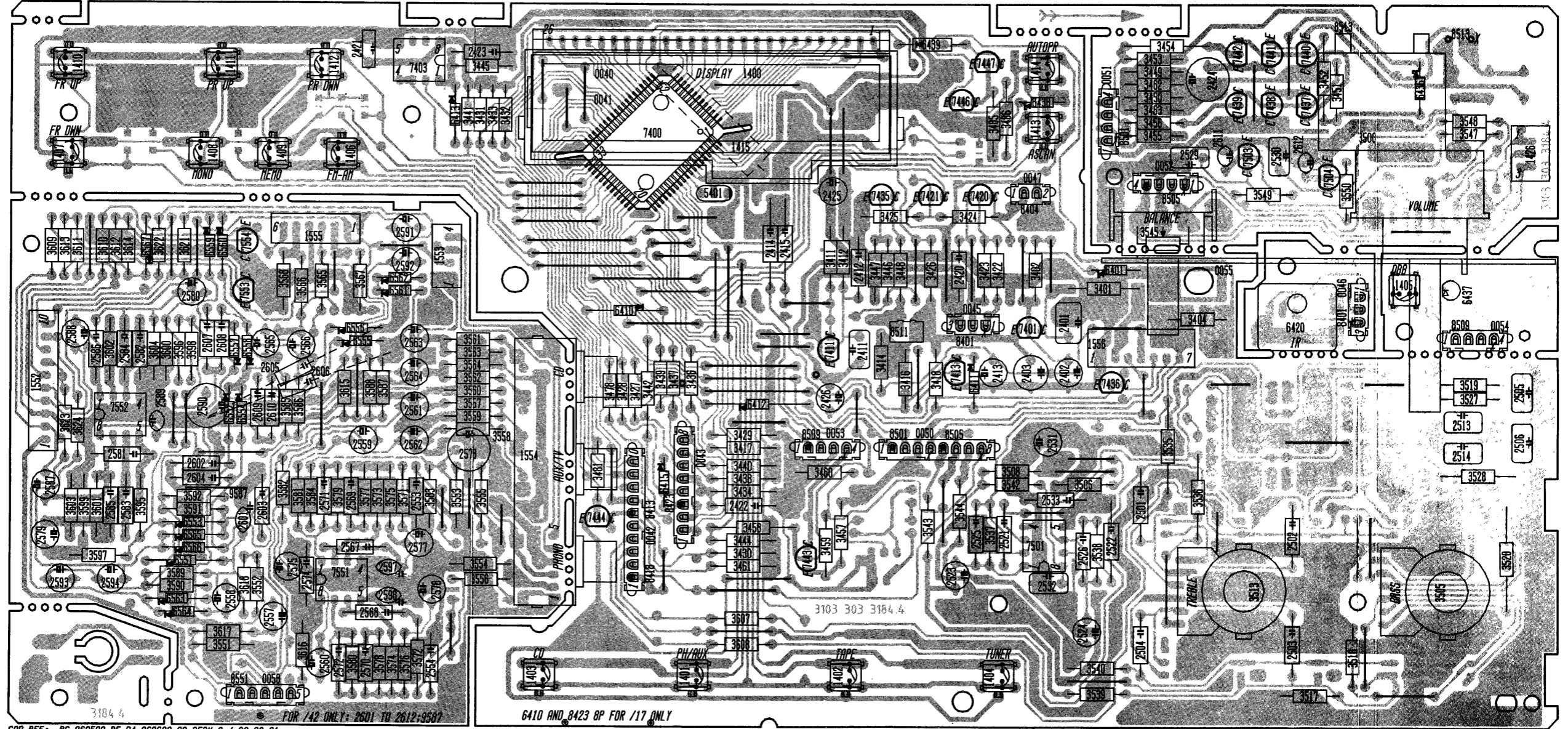


RECORDER BOARD / COPPER SIDE VIEW



0040	B 7	1401	H 8	1426	B16	2421	A 4	2522	F12	2560	G 4	2575	F 4	2591	C 5	2610	E 3	3425	C10	3441	B 5	3457	F 9	3513	G13	3544	F10	3560	E 5	3577	F 4	3592	F 3	3611	C 2	6411	E10	6557	D 3	7413	E10	7501	F11	8505	E10
0041	B 7	1402	H 9	1552	E 1	2422	F 8	2523	G10	2561	E 5	2577	F 5	2592	D 5	2611	B13	3426	D10	3442	E 7	3458	F 8	3517	H14	3545	C12	3561	D 5	3578	G 5	3595	F 2	3612	C 2	6412	E 8	6558	D 3	7420	C10	7503	B13	8505	C12
0042	F 7	1403	H 6	1553	C 5	2423	A 5	2524	G11	2562	E 5	2578	G 5	2593	G 1	2612	C13	3427	E 7	3444	F 8	3459	F 9	3518	G14	3547	B15	3562	E 5	3579	F 4	3596	D 3	3613	C 1	6413	B 5	6559	C 3	7421	C10	7504	C14	8509	E 9
0043	E 8	1404	H11	1554	E 6	2424	B13	2525	F10	2563	D 5	2579	F 1	2594	G 2	3401	D12	3428	E 7	3445	B 6	3460	F 9	3519	E15	3548	B15	3563	D 5	3580	G 4	3597	F 2	3614	C 2	6415	F 7	6560	C 3	7435	C 9	7551	G 4	8509	D10
0045	D10	1405	D15	1555	C 4	2425	C 9	2526	F11	2564	E 5	2580	D 3	2597	F 5	3402	D11	3429	E 8	3446	D10	3461	F 8	3520	F16	3549	C13	3564	E 5	3581	F 4	3598	D 3	3615	E 4	6420	D14	6561	D 5	7436	E12	7552	E 2	8511	D15
0046	D14	1406	B 4	1556	D12	2426	E 9	2529	B12	2565	D 3	2581	E 2	2598	G 5	3404	D13	3430	F 8	3447	D 9	3462	B12	3527	E15	3550	C14	3565	D 4	3582	F 4	3599	F 2	3616	G 4	6436	B15	6562	D 5	7437	B14	7553	D 3	8513	A15
0047	C11	1407	B 1	2401	D11	2501	F12	2530	B13	2566	D 4	2582	D 2	2601	F 3	3411	C 9	3431	B 6	3448	D10	3463	B12	3528	F15	3551	G 3	3566	D 4	3583	F 5	3600	D 2	3617	G 3	6437	D15	6563	G 3	7438	B13	7554	C 3	8513	A14
0050	E10	1408	B 3	2402	E11	2502	F13	2531	E11	2567	F 4	2583	F 2	2602	E 3	3412	C 9	3432	B 6	3449	B12	3478	E 7	3535	E12	3552	G 3	3567	D 4	3584	F 4	3601	F 2	3618	G 3	6438	B11	6564	G 3	7439	B13	8401	D14	8511	H 3
0051	B12	1409	B 4	2403	E11	2503	G13	2532	G11	2568	G 4	2584	D 2	2603	F 3	3414	D 9	3433	B 6	3450	B12	3481	F 7	3536	F13	3553	F 5	3568	D 4	3585	E 4	3602	D 2	3621	C 3	6439	A10	6565	F 3	7440	A14	8401	D10	9587	F 3
0052	C12	1410	B 2	2411	D 9	2504	G12	2533	F11	2569	F 4	2585	F 2	2604	F 3	3416	G10	3434	F 8	3451	B14	3485	B11	3537	F11	3554	F 6	3571	F 5	3586	E 4	3603	F 2	3622	C 2	6551	F 3	6566	F 3	7441	A13	8404	C11		
0053	E 9	1411	B 3	2412	D 9	2505	E16	2534	F 5	2570	G 4	2586	D 2	2605	E 3	3417	E 8	3436	E 8	3452	B14	3486	B11	3538	F12	3555	F 6	3572	G 5	3587	E 5	3604	D 2	3623	E 1	6552	E 3	6567	C 2	7442	A13	8413	F 7		
0054	D16	1412	B 4	2413	E11	2506	E16	2535	G 5	2571	F 4	2587	F 1	2606	E 4	3418	E10	3437	E 7	3453	A12	3500	B14	3539	H12	3556	G 6	3573	F 5	3588	E 4	3607	G 8	3624	E 2	6553	F 3	7400	B 7	7443	F 9	8418	G 7		
0055	D13	1413	B11	2414	C 8	2513	E15	2537	G 3	2572	G 4	2588	D 2	2607	D 9	3422	D11	3438	F 8	3454	A12	3505	G15	3540	G12	3557	E 5	3574	G 5	3589	G 3	3608	G 8	5401	C 8	6554	E 3	7401	D11	7444	F 7	8423	F 7		
0058	H 3	1414	B11	2415	C 9	2514	E15	2538	G 3	2573	E 5	2589	E 2	2608	D 3	3423	D10	3439	E 7	3455	B12	3506	F11	3542	F11	3558	E 5	3575	F 5	3590	G 3	3609	C 1	6401	D12	6555	D 4	7403	B 5	7446	B10	8501	E10		
1400	B 8	1415	B 8	2420	D10	2521	F11	2559	E 4	2574	G 4	2590	E 3	2609	E 9	3424	C10	3440	E 8	3456	B12	3508	F11	3543	F10	3559	E 5	3576	G 5	3591	F 3	3610	C 2	6410	D 7	6556	D 4	7411	D 9	7447	B10	8501	B12		

FRONT BOARD / COPPERSIDE VIEW / AS9600

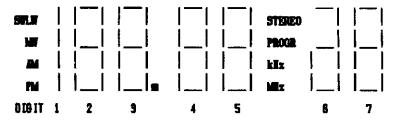
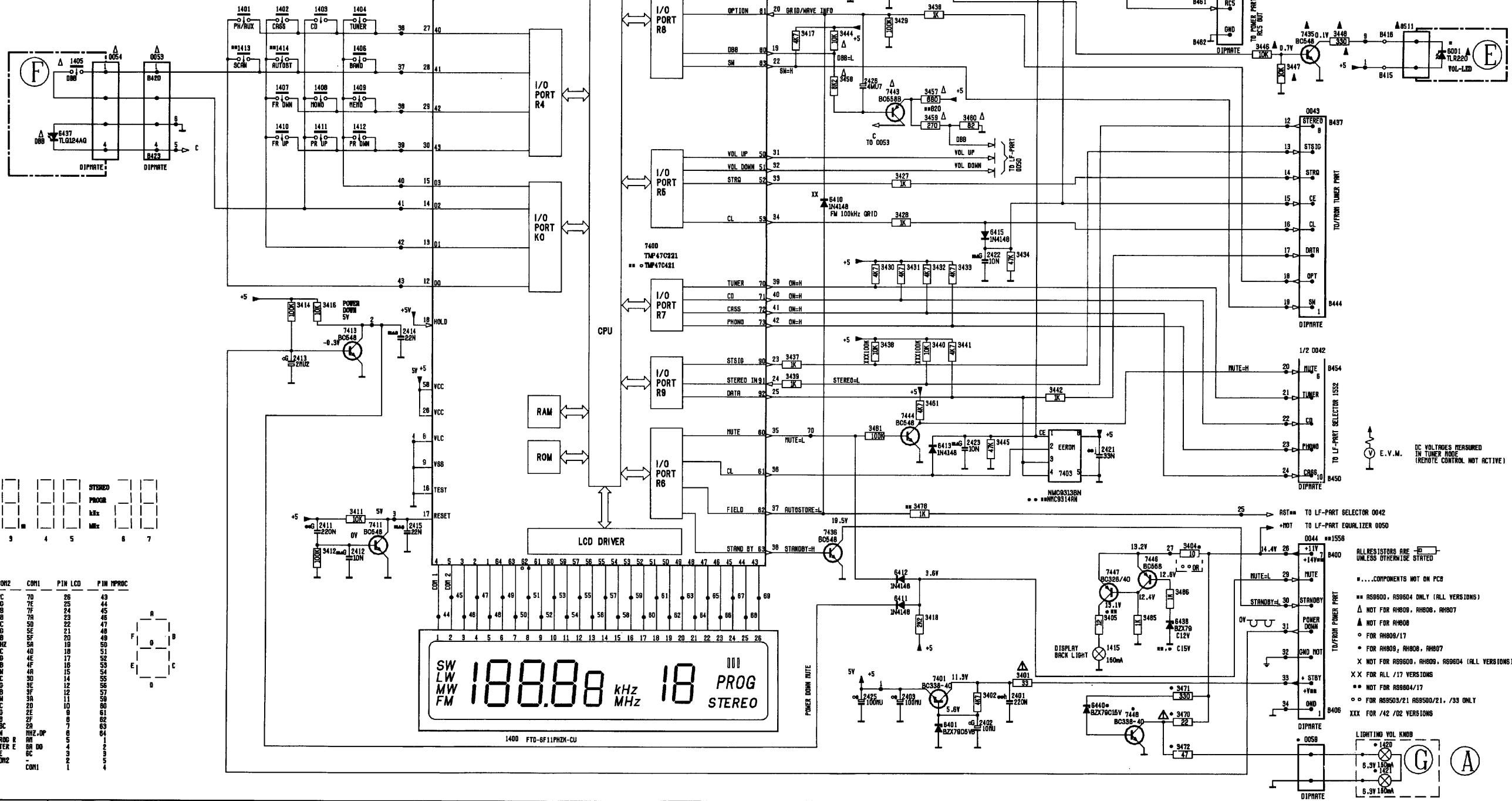


CRD-REF: PC.AS9500.P5.D4.AS9600.00.SERV-R / 90-08-31

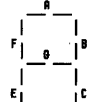
FOR /42 ONLY: 2601 TO 2612+3587

6410 AND 8423 BP FOR /17 ONLY

FRONT/ μ P CONTROL PART



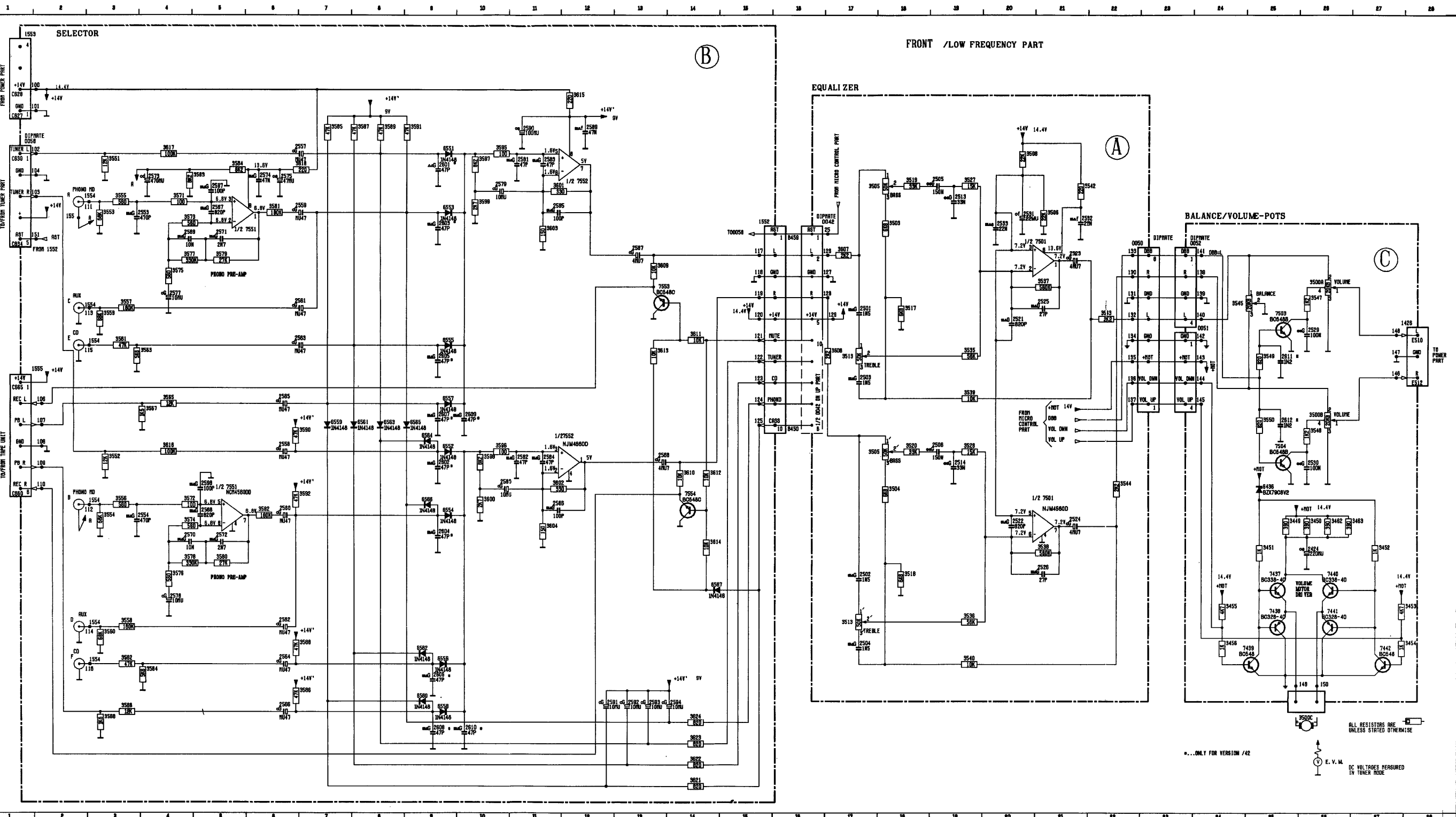
CON2	CON1	PIN LCD	PIN MPIC
7C	7D	26	43
7E	7E	25	44
7F	7F	24	45
80	7H	23	46
81	80	22	47
82	81	21	48
83	82	20	49
84	83	19	50
85	84	18	51
86	85	17	52
87	86	16	53
88	87	15	54
89	88	14	55
90	89	13	56
91	90	12	57
92	91	11	58
93	92	10	59
94	93	9	60
95	94	8	61
96	95	7	62
97	96	6	63
98	97	5	64
99	98	4	65
100	99	3	66
101	100	2	67
102	101	1	68
103	102		
104	103		
105	104		
106	105		
107	106		
108	107		
109	108		
110	109		
111	110		
112	111		
113	112		
114	113		
115	114		
116	115		
117	116		
118	117		
119	118		
120	119		
121	120		
122	121		
123	122		
124	123		
125	124		
126	125		
127	126		
128	127		
129	128		
130	129		
131	130		
132	131		
133	132		
134	133		
135	134		
136	135		
137	136		
138	137		
139	138		
140	139		
141	140		
142	141		
143	142		
144	143		
145	144		
146	145		
147	146		
148	147		
149	148		
150	149		
151	150		
152	151		
153	152		
154	153		
155	154		
156	155		
157	156		
158	157		
159	158		
160	159		
161	160		
162	161		
163	162		
164	163		
165	164		
166	165		
167	166		
168	167		
169	168		
170	169		
171	170		
172	171		
173	172		
174	173		
175	174		
176	175		
177	176		
178	177		
179	178		
180	179		
181	180		
182	181		
183	182		
184	183		
185	184		
186	185		
187	186		
188	187		
189	188		
190	189		
191	190		
192	191		
193	192		
194	193		
195	194		
196	195		
197	196		
198	197		
199	198		
200	199		
201	200		
202	201		
203	202		
204	203		
205	204		
206	205		
207	206		
208	207		
209	208		
210	209		
211	210		
212	211		
213	212		
214	213		
215	214		
216	215		
217	216		
218	217		
219	218		
220	219		
221	220		
222	221		
223	222		
224	223		
225	224		
226	225		
227	226		
228	227		
229	228		
230	229		
231	230		
232	231		
233	232		
234	233		
235	234		
236	235		
237	236		
238	237		
239	238		
240	239		
241	240		
242	241		
243	242		
244	243		
245	244		
246	245		
247	246		
248	247		
249	248		
250	249		



- 0042 H22 7445 R17
- 0043 D22 7446 K10
- 0044 J22 7447 K18
- 0045 R21 7448 M10
- 0048 R22 8511 C24
- 0047 B21
- 0059 C 4
- 0054 C 4
- 0058 N22
- 1400 N10
- 1401 B 5
- 1402 B 7
- 1403 B 7
- 1404 B 7
- 1405 C 5
- 1406 C 7
- 1407 C 6
- 1408 C 7
- 1409 C 7
- 1410 B 7
- 1411 D 7
- 1412 D 7
- 1413 C 5
- 1414 C 6
- 1415 L18
- 1420 N23
- 1421 N23
- 2401 M17
- 2402 M17
- 2403 M18
- 2411 J 7
- 2412 K 7
- 2413 H 6
- 2414 G 8
- 2415 J 8
- 2420 R20
- 2421 I19
- 2422 F17
- 2423 I17
- 2425 M15
- 2426 C15
- 3401 M18
- 3402 M17
- 3404 K20
- 3405 L18
- 3411 J 7
- 3412 K 7
- 3414 G 6
- 3418 B 7
- 3417 C14
- 3418 L16
- 3422 R20
- 3423 R19
- 3424 B18
- 3425 B18
- 3426 H14
- 3427 L18
- 3428 E16
- 3429 B18
- 3430 F15
- 3431 F16
- 3432 F16
- 3433 F17
- 3434 F17
- 3436 B18
- 3437 H14
- 3438 O15
- 3439 H14
- 3440 O18
- 3441 O17
- 3442 H18
- 3444 C15
- 3445 I17
- 3448 C21
- 3447 C22
- 3448 C23
- 3457 D16
- 3458 C15
- 3459 D16
- 3460 D17
- 3461 H18
- 3470 R20
- 3471 M20
- 3472 M20
- 3478 J16
- 3481 I15
- 3482 R17
- 3483 R18
- 3484 R18
- 3485 L19
- 3486 K20
- 5401 B 8
- 6001 C24
- L 8401 H18
- 6410 E15
- 6411 K18
- 6412 K18
- 6419 L18
- 6415 F17
- 6420 R23
- 6437 D 8
- 6438 L20
- M 6440 M19
- 7400 F12
- 7401 H18
- 7403 L18
- 7411 J 8
- 7413 B 7
- 7420 R19
- 7421 R15
- 7435 C22
- 7436 J15
- 7448 D18
- 7444 H18

E.V.M. DC VOLTAGES MEASURED IN TUNER MODE (REMOTE CONTROL NOT ACTIVE)

ALL RESISTORS ARE UNLESS OTHERWISE STATED
 ...COMPONENTS NOT ON PCB
 ** RS8600, RS8604 ONLY (ALL VERSIONS)
 Δ NOT FOR RH805, RH806, RH807
 ▲ NOT FOR RH808
 ○ FOR RH809/17
 ● FOR RH809, RH806, RH807
 X NOT FOR RS8600, RH809, RS8604 (ALL VERSIONS)
 XX FOR ALL /17 VERSIONS
 ●● NOT FOR RS8604/17
 ○ FOR RS8503/21 RS8500/21, /33 ONLY
 XXX FOR /42 /02 VERSIONS



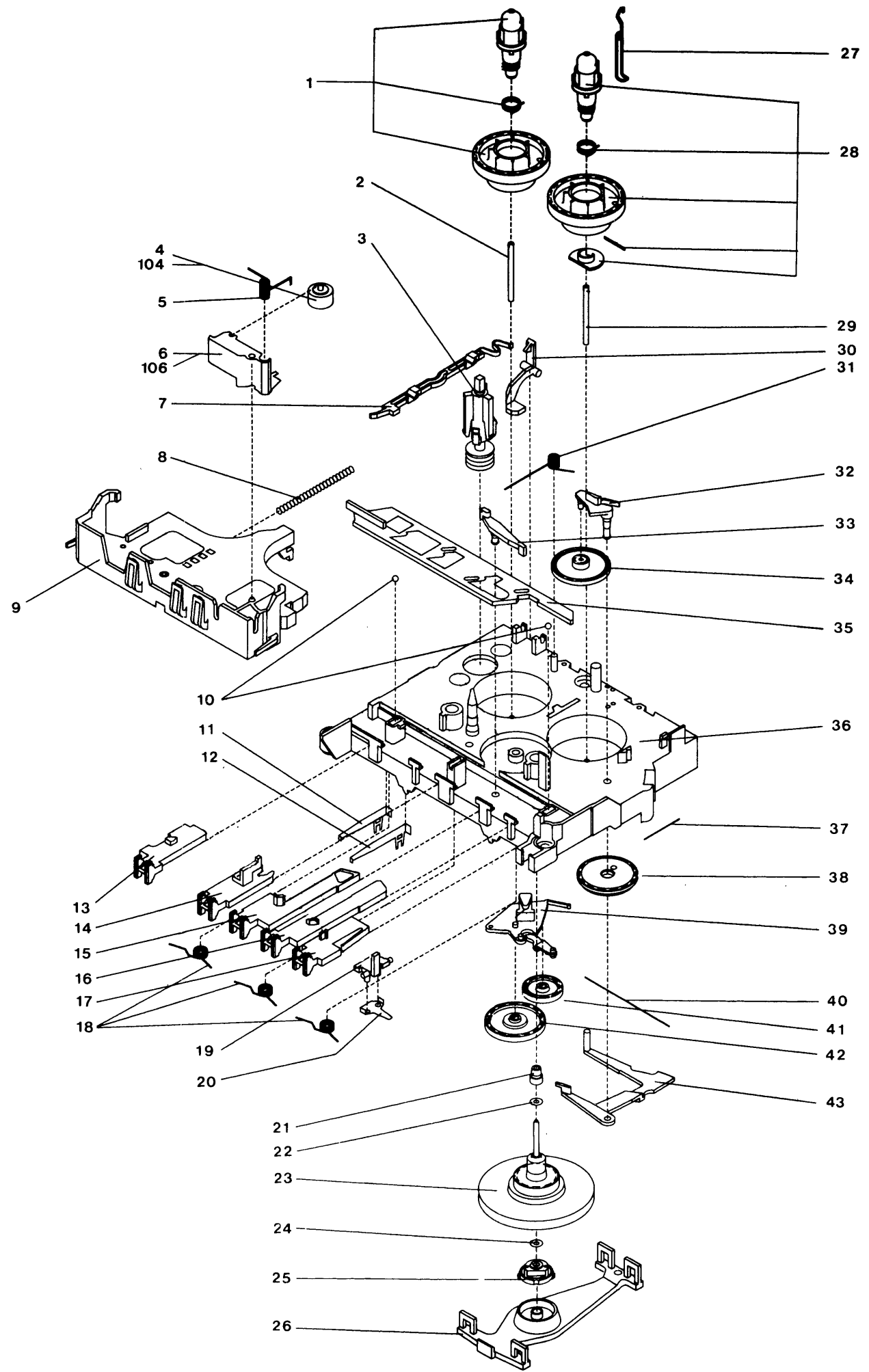
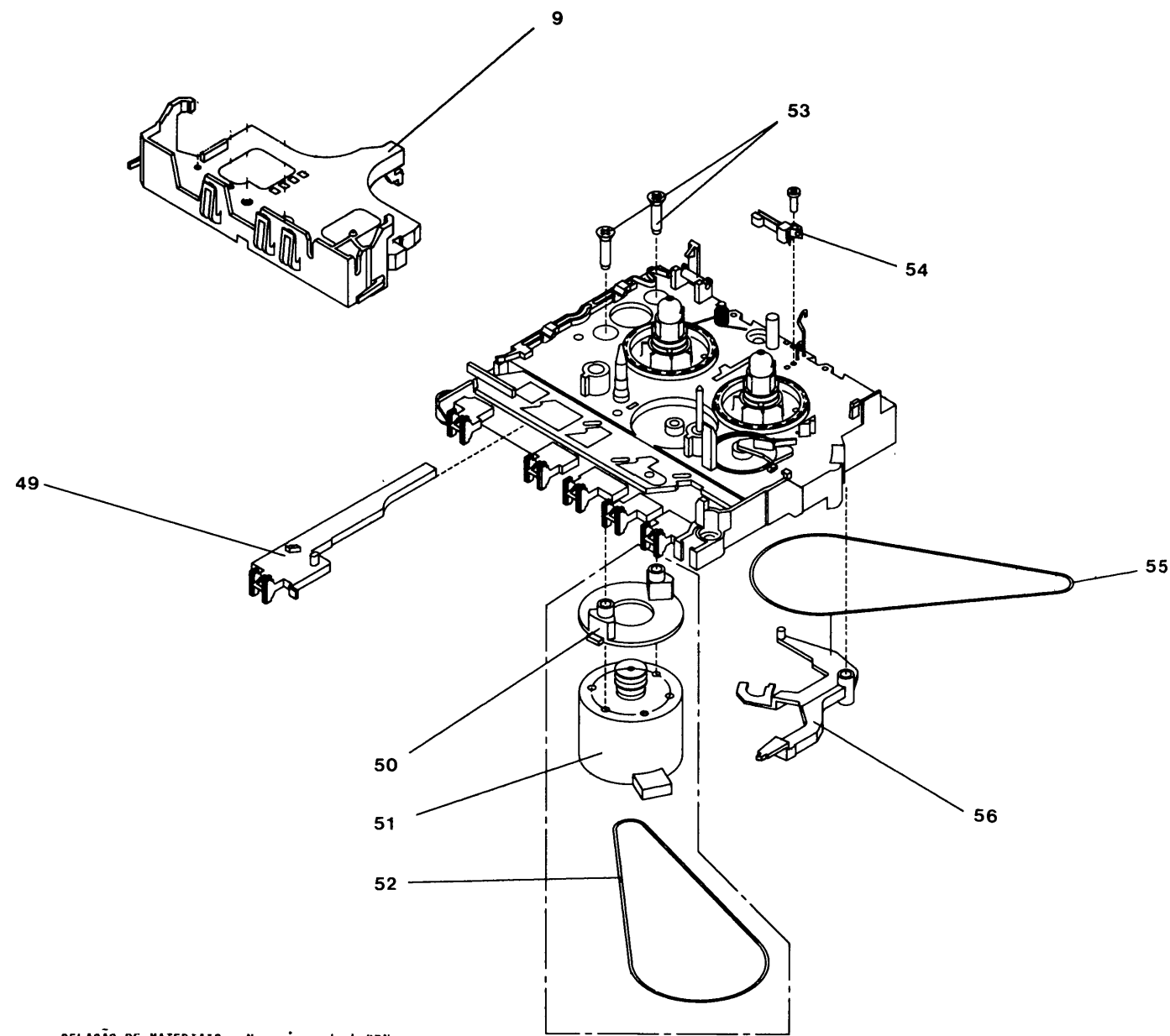
0042	D18	3548	H28
0050	E22	3548	O25
0051	F24	3550	H25
0052	E24	3551	C 4
0058	C 1	3552	I 3
1428	F28	3553	D 3
1552	D15	3554	J 3
1553	R 1	3555	D 3
1554	D 2	3556	J 3
1554	F 2	3557	F 3
1555	G 2	3558	L 3
2454	K26	3558	F 3
2501	F17	3560	L 3
2502	K17	3581	O 3
2503	O17	3582	H 3
2504	L17	3583	D 3
2505	D19	3564	H 4
2506	I19	3585	H 4
2513	D19	3586	H 3
2514	I19	3587	H 3
2521	F20	3588	H 3
2522	J20	3571	D 4
2523	E21	3572	J 4
2524	J21	3573	D 4
2525	F21	3574	J 4
2526	K21	3575	E 4
2528	F26	3576	K 4
2530	I28	3577	E 4
2531	D20	3578	K 4
2532	D21	3579	E 5
2533	D20	3580	K 5
2539	D 3	3581	D 6
2544	J 8	3582	C 7
2557	C 7	3583	C 5
2558	I 6	3584	C 5
2559	D 7	3585	C 7
E 2560	J 6	3586	H 8
2581	F 7	3587	C 8
2582	L 6	3588	L 6
2583	G 7	3588	H 8
2584	H 8	3588	H 8
2585	H 6	3591	C 9
2586	H 8	3592	I 8
2587	D 5	3595	C10
2588	J 5	3596	H10
2589	E 4	3597	C10
2570	J 4	3598	H10
2571	E 5	3598	D10
2577	F 4	3600	H11
2579	D 4	3601	D11
2574	C 6	3602	I11
2575	D 6	3603	D11
2577	K 4	3604	J11
2578	K 4	3607	E17
2579	D10	3608	G17
2580	H10	3609	E19
2581	C11	3610	J14
2582	H11	3611	F14
2583	C11	3612	I14
2584	H11	3613	D13
2585	D11	3614	J14
2586	J11	3615	D12
2587	E13	3618	C 7
2588	H13	3617	C 4
2589	C12	3618	I 4
2590	C11	3621	O14
2591	H12	3622	N14
2592	H13	3623	N14
2593	H13	3624	N14
2594	H13	6436	J25
2597	D 5	6551	C 9
2598	I 5	6552	I 9
2601	C 9	6553	D 9
2602	I 9	6554	J 9
2603	D 9	6555	O 9
2604	J 9	6556	H 9
2605	G 9	6557	H 9
2606	H 9	6558	H 9
2607	H 9	6558	H 7
2608	H 9	6580	H 9
2609	H10	6581	H 8
2610	H10	6582	H 9
2611	O25	6583	H 8
2612	H25	6584	H 8
3448	J25	6585	H 9
K 3450	J26	6586	H 9
3451	J25	6587	K14
3452	J27	7437	K25
3453	L27	7438	L25
3454	L27	7439	L25
3455	L24	7440	K28
3456	L24	7441	L28
3482	J26	7442	L27
3483	J28	7501	J21
3500R	E26	7503	F25
3500B	H26	7504	J25
3500C	H26	7551	I 5
3503	D18	7552	H11
3504	I18	7553	F13
3505	I18	7554	I14
3506	D18		
3508	D21		
3510	C20		
3513	L17		
3513	O17		
3517	F18		
3518	K18		
3519	D18		
3520	I18		
3527	D19		
3528	I19		
3535	O19		
3536	L19		
3537	E21		
3538	J21		
3539	H19		
3540	H19		
3542	D21		
O 3543	F22		
3544	I22		
3545	F25		
3547	F26		

...ONLY FOR VERSION 7/82

E. V. M.

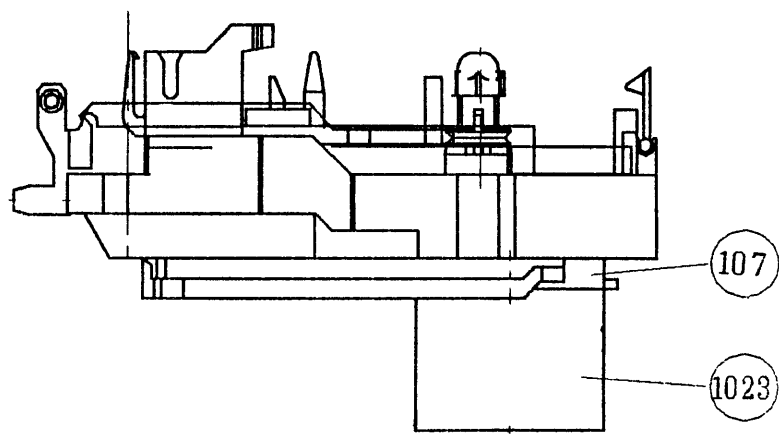
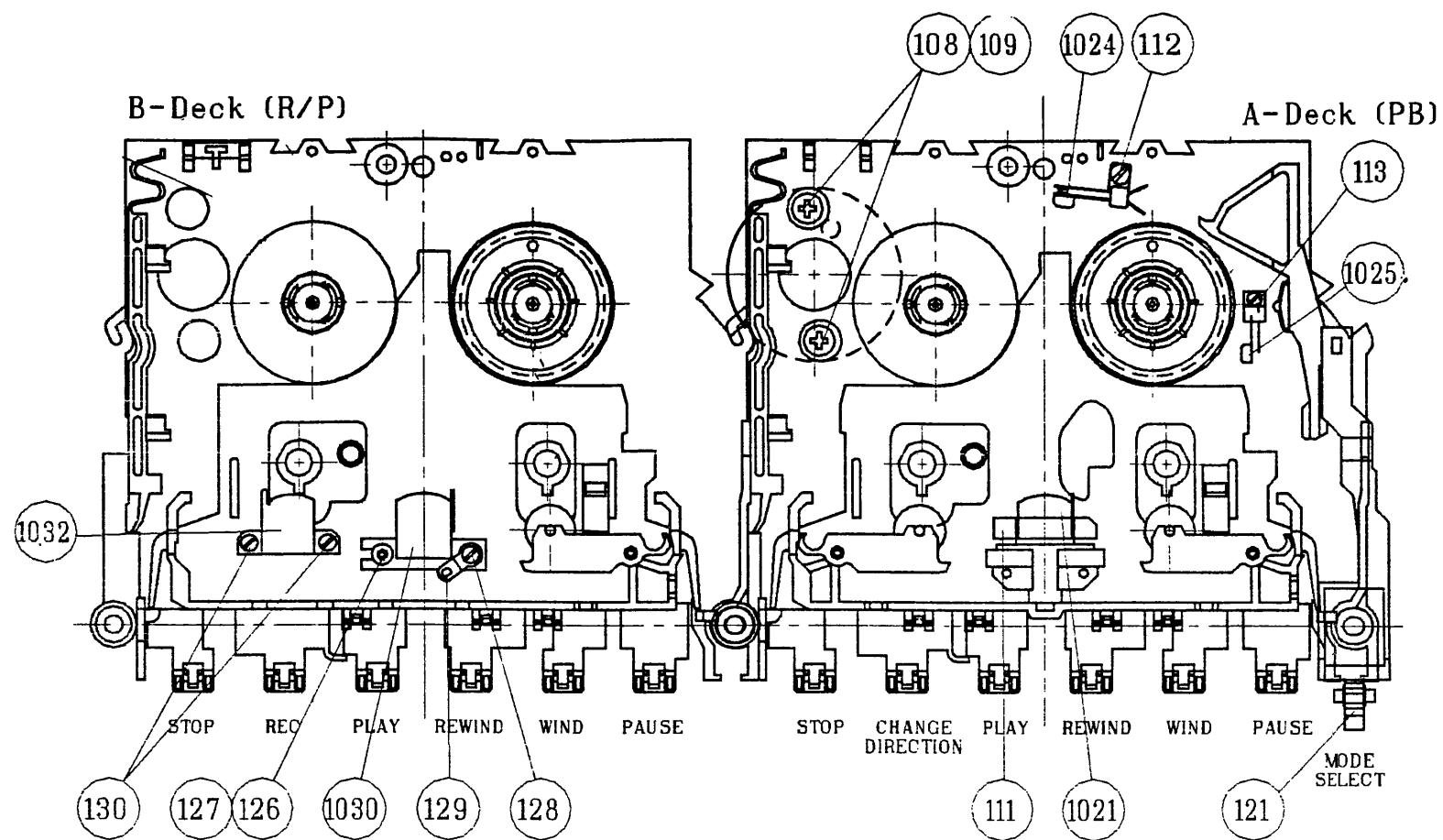
DC VOLTAGES MEASURED IN TUNER MODE

MECANISMO DECK RDN - RN



RELAÇÃO DE MATERIAIS - Mecanismo deck RDN

Posição	Código	Posição	Código	Posição	Código
01	4822 528 20676	21	4806 520 37039	41	4806 522 37175
02	4806 535 37005	22	4806 532 27068	42	4806 522 37174
03	4806 522 37178	23	4806 528 67027	43	4806 403 37131
04	4806 528 77039	24	4806 532 27068	44	4806 290 37016
104	4806 528 77039	25	4806 403 57465	45	4806 492 67304
05	4806 492 67381	26	4806 403 57467	49	4806 403 37123
06	4806 402 17006 (Dir.)	27	4806 492 67385	50	4806 403 17028
106	4822 402 10038 (Esq.)	28	4806 528 27029	51	4806 361 27077
07	4806 403 37121	29	4806 535 37005	52	4806 358 37088
08	4806 402 67383	30	4806 403 37128	53	4806 502 17243
09	4806 403 57469	31	4806 492 47132	54	4806 277 27106
10	4806 520 47009	32	4806 403 17029	55	4806 358 37087
11	4806 290 87125	33	4806 403 37119	56	4806 403 47032
12	4806 290 87124	34	4806 522 37126		
13	4806 403 37127	35	4806 403 57468		
14	4806 403 37126	36	4806 464 77027		
15	4806 403 37124	37	4806 492 67384		
16	4806 403 37125	38	4806 522 37177		
17	4806 403 37122	39	4806 403 57466		
18	4806 492 67386	40	4806 492 67382		
19	4806 403 37129				
20	4806 492 67387				

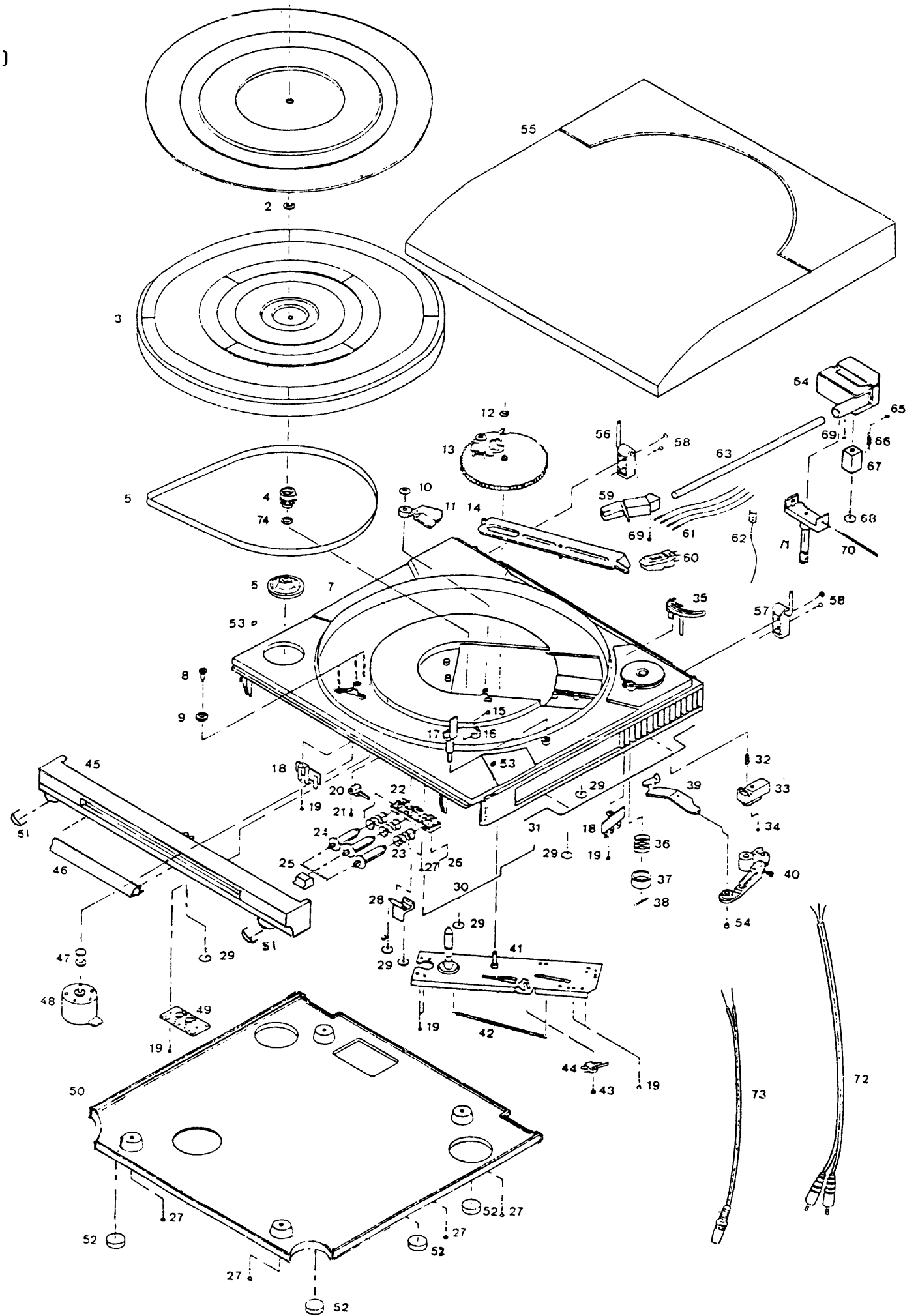


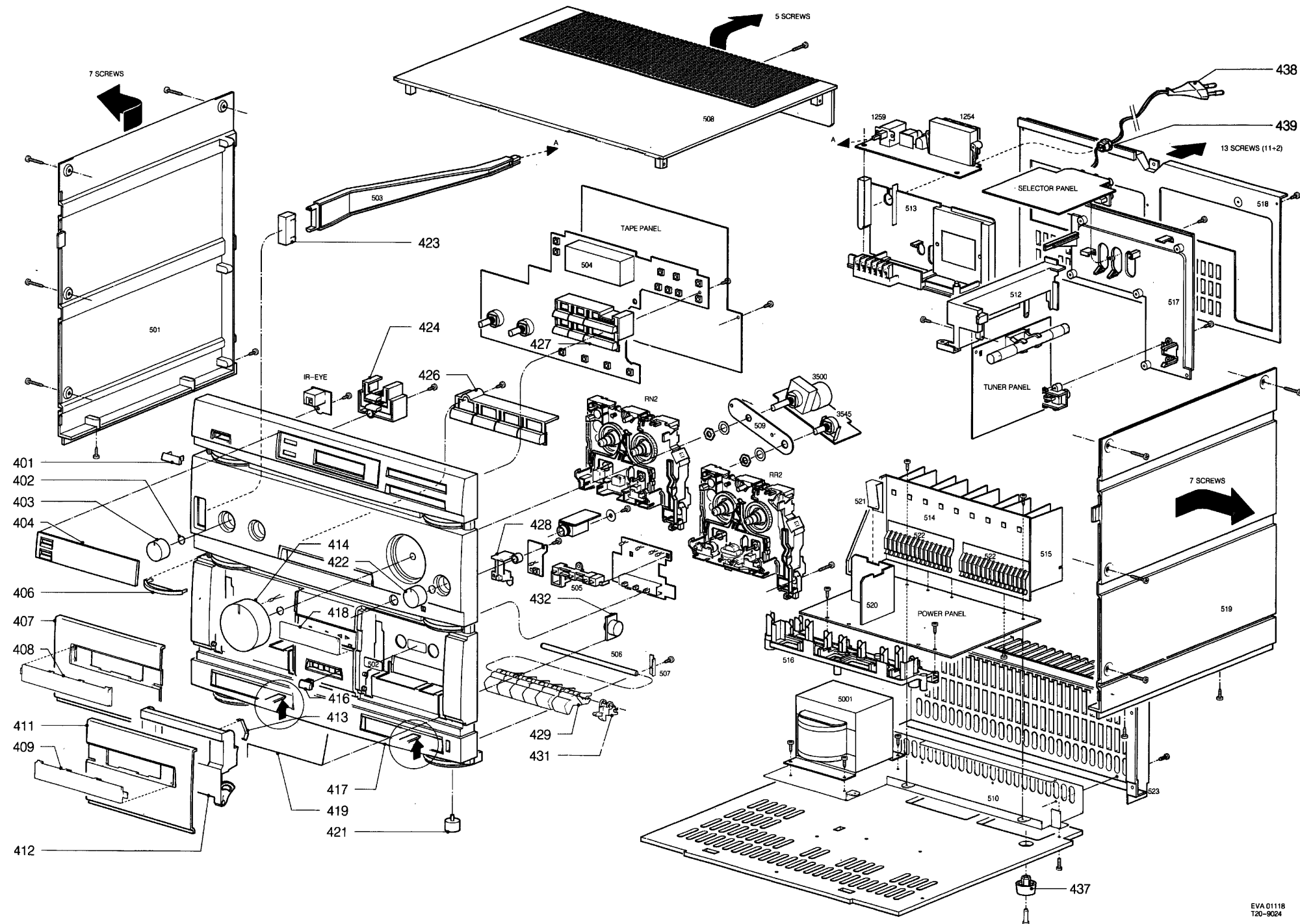
MECANISMO DECK RDR6

107	4806	403	17028
108	4806	502	17243
111	4822	492	70393
121	4822	403	53876
126	4806	492	67304
1021	4822	249	30153
1023	4806	361	27077
1024	4806	277	27106
1025	4806	278	90624
1030	4806	249	17033
1032	4806	249	47026

Guia Fita Direita - 4822 535 92992

Guia Fita Esquerda - 4822 535 92993





MECHANICAL PARTS

- 401 4822 450 61524 WINDOW IR
- 402 4822 492 63086 SPRING KNOB FIXATION
- 403 4822 413 41573 KNOB POT.
- 404 4822 450 61546 WINDOW TUNER
- 406 4822 426 60577 CAP ORNAMENTAL FOOT

- 407 4822 454 20955 CASSETTE FLAP LEFT
- 408 4822 450 61525 WINDOW CASS.DOOR
- 409 4822 450 61525 WINDOW CASS.DOOR
- 411 4822 454 20956 CASS.FLAP RIGHT
- 412 4822 443 63037 DOOR, CASSETTE

- 413 4822 492 63927 SPRING, CASS.PRESS
- 414 4822 413 41561 KNOB POT.
- 416 4822 410 60644 BUTTON
- 417 4822 426 51456 FRONT ASSY
- 418 4822 450 61547 WINDOW CASS.DISPLAY

- 419 4822 492 70427 SPRING CASS.DOOR
- 421 4822 462 40683 FOOT RUBBER
- 422 4822 413 41562 KNOB POT.
- 423 4822 413 70269 BUTTON POWER SWITCH
- 424 4822 413 41572 KNOB ASSY PROGR.

- 426 4822 410 60585 KNOB ASSY SELECTOR
- 427 4822 410 60584 KNOB ASSY TUNER
- 428 4822 410 60586 BUTTON
- 429 4822 410 60587 BUTTON TAPE DECK
- 431 4822 410 60589 LEVER

- 432 4822 529 10257 DAMPER CASS.DOOR
- 437 4822 462 41535 FOOT RUBBER
- 438 4806 321 17052 MAINS CORD

- 439 4806 404 37307 CLAMP MAINS CORD

Relação de Peças - Toca Discos

SCREWS

10 M3 X 8	34 M3 X 16
19 M3 X 10	43 M2 X 6
21 M2.6 X 8	58 M4 X 12
27 M3 X 12	68 M2.6 X 6
29 M3 X 8	69 M2 X 5

SPECIFICATIONS :

Power supply : 12V DC ± 10%
 Current : 50 - 10mA
 Automatic return
 Belt driving
 45 rpm , 33 1/3 rpm
 Wow and flutter : <0.25% (JIS)

1 4822 466 50207	25 4822 410 61329	47 4822 528 81342
3 4822 528 10751	26 4822 492 70278	48 4822 361 21448
4 4822 535 92928	28 4822 402 61259	51 4822 462 41827
5 4822 358 20355	32 4822 492 52111	52 4822 462 41826
6 4822 535 60109	35 4822 402 61263	54 4822 532 51966
8 4822 502 13333	36 4822 492 70911	55 4822 462 71608
9 4822 325 50171	37 4822 402 61257	56 4822 417 11068
13 4822 522 32748	38 4822 535 92442	57 4822 417 11067
15 4822 502 13332	39 4822 402 61258	59 4822 251 11017
16 4822 402 61261	40 4822 402 30164	60 4822 251 30142
17 4822 402 61304	42 4822 492 42169	63 4822 251 70315
20 4822 278 90614	44 4822 277 60253	64 4822 691 30228
23 4822 492 52109	45 4822 426 51486	65 4822 532 52112
24 4822 402 61265	46 4822 454 12736	

AGULHA 4822 251 30141

Only the mentioned parts are normal service parts!

MISCELLANEOUS			
1070	4822 276 30408	SWITCH ASSY PUSHBUT.	1402 4822 276 12465 SWITCH TACT
1105	4822 277 30862	SWITCH,GRID SELECTOR	1403 4822 276 12465 SWITCH TACT
1250	4822 071 53152	FUSE T3,5A	1404 4822 276 12465 SWITCH TACT
1251	4822 071 53152	FUSE T3,5A	1405 4822 276 12465 SWITCH TACT
1252	4822 071 51602	FUSE T1.6A	1406 4822 276 12465 SWITCH TACT
1253	4822 071 51602	FUSE T1.6A	1407 4822 276 12465 SWITCH TACT
1254	4822 071 53152	FUSE T3,5A	1408 4822 276 12465 SWITCH TACT
1254	4822 071 54002	FUSE T4A	1409 4822 276 12465 SWITCH TACT
1257	4822 134 41016	LAMP INC. 12V 300mA	1410 4822 276 12465 SWITCH TACT
1259	4822 071 51602	FUSE T1.6A	1411 4822 276 12465 SWITCH TACT
1260	4822 071 51602	FUSE T1.6A	1412 4822 276 12465 SWITCH TACT
1271	4822 276 12901	SWITCH POWER	1413 4822 276 12465 SWITCH TACT
1272	4822 267 31107	LS-TERMINAL	1414 4822 276 12465 SWITCH TACT
1273	4822 267 31051	REMOTE OUT	1415 4822 134 40965 LAMP INC. 12V 150mA
1274	4822 267 30968	PHONE SOCKET	
1286	4822 264 30175	SOCKET EXT. SUPPLY	
1287	4822 277 21404	VOLTAGE SELECTOR	5001 4822 146 30945 TRANSF.MAINS OVERSEA
1400	4822 130 90954	LCD	5250 4822 280 70366 RELAY MINIAT. 36V DC
1401	4822 276 12465	SWITCH TACT	
DIODES			
4822	130 82027	TLR220 LED	4806 130 37076 1N4002
4806	130 37078	1N4148	4806 130 37044 BZX79-C15
4806	130 37258	BB809	4822 130 82079 D3SBA20
4822	130 81673	1SV149(B)	5322 130 32184 BYV27-50
4806	130 37047	BZX79-C4V7	4822 130 34173 BZX79-C5V6
4806	130 37041	BZX79-C10	4822 130 81254 IR-EYE
4806	130 37004	BAV21	4806 130 37054 BZX79-C8V2
4806	130 37314	BZX79-C2V7	4822 130 31274 LED
4822	130 80235	BZX79-C3V3	4822 130 81424 BZX75-C2V1
4806	130 37051	BZX79-C6V2	4822 130 32472 TLG124A(TPJ52)
5322	130 80686	1N5392	4806 130 37198 BZX79-C2V4
TRANSISTORS			
4822	130 60163	2SC1047	4806 130 47038 BC547C
4806	130 47042	BC548C	4806 130 47039 BC548
4806	130 47217	BC558C	5322 130 42363 BDT63B
4806	130 47332	BC338-40	4822 130 62433 BDT62
5322	130 41982	BC848	5322 130 44926 BDT62B
4806	130 47048	BC558	5322 130 44786 BD675
4806	130 47047	BC557B	4806 130 47235 BD433
4806	130 47092	BF457	4806 130 47227 BC328-40
4806	130 47041	BC548B	4806 130 47050 BC558B
INTEGRATED CIRCUITS			
4806	209 87525	LM7000	4822 209 62395 EEROM NMC9314AN
4822	209 73851	CXA1238M	4822 209 62932 NCM4560 DD
4822	209 83274	NJM4560D	4822 209 72749 CXA1100P
4822	209 62368	µP,TMP47C421-8821	4822 209 62372 TDA1602A/N3
COILS			
5102	4806 156 37045	RF COIL 1,5 TURNS	5110 4822 303 50034 CRYSTAL 7,2 MHz
5103	4806 156 37045	RF COIL 1,5 TURNS	5252 4822 157 62255 COIL 18,5 TURNS
5104	4822 157 53192	0,22µH	5253 4822 157 62255 COIL 18,5 TURNS
5105	4822 156 20816	AM-IF 450kHz	5401 4822 242 73769 CER.RES. 4,194MHz
5106	4822 158 60511	AM-IF FILTER	5601 4822 156 20811 COIL 36µH
5107	4822 158 60602	FERR.ASSY MW	5602 4822 156 20811 COIL 36µH
5603	4822 242 73768	MPX-FILTER	5604 4822 242 73768 MPX-FILTER
5604	4822 242 73768	MPX-FILTER	5605 4822 156 20811 COIL 36µH
5605	4822 156 20811	COIL 36µH	5606 4822 156 20811 COIL 36µH
5108	4822 156 10459	COIL VAR. AM - OSC.	
5109	4822 242 73546	FM-DISC.	

COILS			
5701	4822 156 20946	OSC.COIL 100kHz	
RESISTORS			
3101	4822 116 52234	100k 5% 0,5W	3285 4822 101 10927 470R POTMETER
3104	4822 050 24702	4k7 1% 0,6W	3286 4822 050 21002 1k 1% 0,6W
3106	4822 050 23302	3k3 1% 0,6W	3287 4822 050 21002 1k 1% 0,6W
3108	4822 050 24703	47k 1% 0,6W	3288 4822 053 10302 3k 5% 1W
3111	4822 050 21203	12k 1% 0,6W	3289 4822 053 10302 3k 5% 1W
3112	4822 050 21203	12k 1% 0,6W	3290 4822 053 10222 2k2 5% 1W
3114	4822 051 20103	10k 5% 0,1W	3291 4822 053 10222 2k2 5% 1W
3115	4822 100 11213	22k 30% POT.	3294 4822 116 52224 470R 5% 0,5W
3117	4822 050 21002	1k 1% 0,6W	3295 4822 116 52224 470R 5% 0,5W
3118	4822 051 20103	10k 5% 0,1W	3296 4822 116 52224 470R 5% 0,5W
3119	4822 051 20103	10k 5% 0,1W	3297 4822 116 52224 470R 5% 0,5W
3124	4822 050 24702	4k7 1% 0,6W	3298 4822 116 52224 470R 5% 0,5W
3125	4822 050 24702	4k7 1% 0,6W	3299 4822 116 52224 470R 5% 0,5W
3126	4822 050 22202	2k2 1% 0,6W	3302 4822 116 52224 470R 5% 0,5W
3128	4822 050 16809	68R 1% 0,4W	3303 4822 116 52224 470R 5% 0,5W
3130	4822 050 15602	5k6 1% 0,4W	3304 4822 113 80525 0R15 10% 3W
3132	4822 050 24702	4k7 1% 0,6W	3305 4822 113 80525 0R15 10% 3W
3135	4822 116 52244	15k 5% 0,5W	3306 4822 113 80525 0R15 10% 3W
3138	4822 050 14709	47R 1% 0,4W	3307 4822 113 80525 0R15 10% 3W
3140	4822 050 26801	680R 1% 0,6W	3308 4822 050 24704 470k 1% 0,6W
3141	4822 050 21002	1k 1% 0,6W	3309 4822 050 24704 470k 1% 0,6W
3142	4822 050 21002	1k 1% 0,6W	3310 4822 050 22204 220k 1% 0,6W
3143	4822 050 21002	1k 1% 0,6W	3312 4822 050 24703 47k 1% 0,6W
3145	4822 116 52921	4k7 1% 0,6W	3313 4822 050 13303 33k 1% 0,4W
3146	4822 053 10221	220R 5% 1W	3314 4822 116 52234 100k 5% 0,5W
3150	4822 050 21002	1k 1% 0,6W	3315 4822 050 21501 150R 1% 0,6W
3157	4822 050 22202	2k2 1% 0,6W	3316 4822 116 52921 4k7 1% 0,6W
3165	4822 050 11809	18R 1% 0,4W	3318 4822 050 21002 1k 1% 0,6W
3191	4822 050 23301	330R 2% 0,25W	3319 4822 050 21002 1k 1% 0,6W
3192	4822 051 20103	10k 5% 0,1W	3320 4822 113 80545 390R 10% 5W
3250	4822 050 22202	2k2 1% 0,6W	3321 4822 113 80545 390R 10% 5W
3251	4822 050 22202	2k2 1% 0,6W	3322 4822 050 26809 68R 1% 0,6W
3252	4822 050 24702	4k7 1% 0,6W	3323 4822 050 26809 68R 1% 0,6W
3253	4822 050 24702	4k7 1% 0,6W	3328 4822 116 52224 470R 5% 0,5W
3254	4822 050 22202	2k2 1% 0,6W	3329 4822 116 52224 470R 5% 0,5W
3255	4822 050 22202	2k2 1% 0,6W	3330 4822 116 80562 10R 5% NFR
3256	4822 050 24702	4k7 1% 0,6W	3331 4822 116 80562 10R 5% NFR
3257	4822 050 24702	4k7 1% 0,6W	3340 4822 050 22204 220k 1% 0,6W
3264	4822 050 21002	1k 1% 0,6W	3341 4822 050 22204 220k 1% 0,6W
3265	4822 050 21002	1k 1% 0,6W	3342 4822 116 80311 4,7R 5% NFR
3268	4822 050 22203	22k 1% 0,6W	3343 4822 116 80564 220R 5% NFR
3269	4822 050 22203	22k 1% 0,6W	3344 4822 052 10101 100R 5% NFR
3270	4822 053 10122	1k2 5% 1W	3345 4822 053 10122 1k2 5% 1W
3271	4822 053 10272	2k7 5% 1W	3346 4822 050 21002 1k 1% 0,6W
3272	4822 052 10681	680R 5% NFR	3347 4822 116 52224 470R 5% 0,5W
3273	4822 052 10681	680R 5% NFR	3348 4822 050 11009 10R 1% 0,4W
3274	4822 050 22202	2k2 1% 0,6W	3352 4822 050 21002 1k 1% 0,6W
3275	4822 050 22202	2k2 1% 0,6W	3353 4822 050 21002 1k 1% 0,6W
3276	4822 116 80335	47R 5% NFR	3354 4822 116 52224 470R 5% 0,5W
3277	4822 116 80335	47R 5% NFR	3355 4822 116 52224 470R 5% 0,5W
3278	4822 053 11152	1k5 5% 2W	3358 4822 116 80311 4,7R 5% NFR
3279	4822 053 11152	1k5 5% 2W	3359 4822 116 80311 4,7R 5% NFR
3280	4822 053 10152	1k5 5% 1W	3364 4822 050 22204 220k 1% 0,6W
3281	4822 053 10152	1k5 5% 1W	3365 4822 050 22204 220k 1% 0,6W
3282	4822 050 22202	2k2 1% 0,6W	3368 4822 116 80562 10R 5% NFR
3283	4822 050 22202	2k2 1% 0,6W	3369 4822 116 80562 10R 5% NFR
3284	4822 101 10927	470R POTMETER	3401 4822 052 10339 33R 5% NFR

RESISTORS			
3500	4822 102 10414	POTM. 2x20kB	3710 4822 050 25603 56k 1% 0,6W
3505	4822 102 10421	POTMETER 2x50kB	3711 4822 050 24708 4k7 1% 0,6W
3513	4822 102 10421	POTMETER 2x50kB	3714 4822 050 21006 10M 1% 0,6W
3545	4822 101 21103	POTM. 20kB	3715 4822 100 11163 100k 30% POTM.LI
3550	4822 050 21002	1k 1% 0,6W	3716 4822 100 11163 100k 30% POTM.LI
3551	4822 050 21204	120k 1% 0,6W	3717 4822 050 13303 33k 1% 0,4W
3552	4822 050 21204	120k 1% 0,6W	3718 4822 050 13303 33k 1% 0,4W
3553	4822 050 23302	3k3 1% 0,6W	3724 4822 050 21002 1k 1% 0,6W
3554	4822 050 23302	3k3 1% 0,6W	3726 4822 050 24703 47k 1% 0,6W
3555	4822 050 15602	5k6 1% 0,4W	3729 4822 050 26802 6k8 1% 0,6W
3556	4822 050 15602	5k6 1% 0,4W	3730 4822 116 52263 2k7 5% 0,5W
3557	4822 050 21002	1k 1% 0,6W	3731 4822 050 24702 4k7 1% 0,6W
3558	4822 050 21002	1k 1% 0,6W	3732 4822 050 22702 2k7 1% 0,6W
3559	4822 050 21002	1k 1% 0,6W	3736 4822 050 21002 1k 1% 0,6W
3560	4822 050 21002	1k 1% 0,6W	3745 4822 050 24703 47k 1% 0,6W
3561	4822 050 21803	18k 1% 0,6W	3747 4822 116 52234 100k 5% 0,5W
3562	4822 050 21803	18k 1% 0,6W	3748 4822 116 52234 100k 5% 0,5W
3567	4822 050 24303	43k 1% 0,6W	3751 4822 050 24702 4k7 1% 0,6W
3568	4822 050 22209	22R 1% 0,6W	3754 4822 050 21002 1k 1% 0,6W
3573	4822 050 21002	1k 1% 0,6W	3756 4822 050 21002 1k 1% 0,6W
3574	4822 050 21002	1k 1% 0,6W	3757 4822 050 21002 1k 1% 0,6W
3577	4822 116 52234	100k 5% 0,5W	3758 4822 050 21002 1k 1% 0,6W
3578	4822 116 52234	100k 5% 0,5W	3759 4822 050 21002 1k 1% 0,6W
3579	4822 050 24704	470k 1% 0,6W	3761 4822 050 24703 47k 1% 0,6W
3580	4822 050 24704	470k 1% 0,6W	3763 4822 050 23302 3k3 1% 0,6W
3581	4822 050 21504	150k 1% 0,6W	3764 4822 050 21002 1k 1% 0,6W
3582	4822 050 21504	150k 1% 0,6W	3765 4822 050 23302 3k3 1% 0,6W
3583	4822 050 28203	82k 1% 0,6W	3770 4822 116 52234 100k 5% 0,5W
3584	4822 050 28203	82k 1% 0,6W	3771 4822 116 52234 100k 5% 0,5W
3587	4822 050 28201	27k 5% 0,5W	3772 4822 050 22202 2k2 1% 0,6W
3588	4822 050 28201	27k 5% 0,5W	3773 4822 050 22204 220k 1% 0,6W
3593	4822 050 22209	22R 1% 0,6W	3774 4822 100 11213 22k 30% POT.
3603	4822 116 52263	2k7 5% 0,5W	3775 4822 100 11213 22k 30% POT.
3604	4822 116 52263	2k7 5% 0,5W	3776 4822 100 11213 22k 30% POT.
3605	4822 050 15602	5k6 1% 0,4W	3777 4822 100 11213 22k 30% POT.
3606	4822 050 15602	5k6 1% 0,4W	3780 4822 050 24703 47k 1% 0,6W
3610	4822 050 24703	47k 1% 0,6W	3782 4822 050 22202 2k2 1% 0,6W
3701	4822 050 14709	47R 1% 0,4W	3785 4822 050 247

CHIP RESISTORS													
3162	4822	051	10221	220R	2%	0,25W	3602	4822	051	10182	1k8	2%	0,25W
3163	4822	051	20681	680R	5%	0,1W	3607	4822	051	10103	10k	2%	0,25W
3191	4822	051	10561	560R	2%	0,25W	3608	4822	051	10103	10k	2%	0,25W
3193	4822	051	20563	56k	5%	0,1W	3609	4822	051	10103	10k	2%	0,25W
3195	4822	051	20223	2k2	5%	0,1W	3707	4822	051	10103	10k	2%	0,25W
3258	4822	051	10223	22k	2%	0,25W	3708	4822	051	10103	10k	2%	0,25W
3259	4822	051	10223	22k	2%	0,25W	3725	4822	051	10223	22k	2%	0,25W
3260	4822	051	10223	22k	2%	0,25W	3727	4822	051	10101	100R	2%	0,25W
3261	4822	051	10103	10k	2%	0,25W	3728	4822	051	10101	100R	2%	0,25W
3266	4822	051	10101	100R	2%	0,25W	3737	4822	051	10223	22k	2%	0,25W
3267	4822	051	10101	100R	2%	0,25W	3738	4822	051	10103	10k	2%	0,25W
3292	4822	051	10101	100R	2%	0,25W	3739	4822	051	10103	10k	2%	0,25W
3293	4822	051	10101	100R	2%	0,25W	3742	4822	051	10223	22k	2%	0,25W
3300	4822	051	10103	10k	2%	0,25W	3743	4822	051	10223	22k	2%	0,25W
3301	4822	051	10103	10k	2%	0,25W	3744	4822	051	10103	10k	2%	0,25W
3311	4822	051	10223	22k	2%	0,25W	3752	4822	051	10122	1k2	2%	0,25W
3326	4822	051	10101	100R	2%	0,25W	3755	4822	051	10122	1k2	2%	0,25W
3356	4822	051	10101	100R	2%	0,25W	3760	4822	051	10103	10k	2%	0,25W
3357	4822	051	10101	100R	2%	0,25W	3766	4822	051	10223	22k	2%	0,25W
3565	4822	051	10103	10k	2%	0,25W	3767	4822	051	10223	22k	2%	0,25W
3566	4822	051	10103	10k	2%	0,25W	3768	4822	051	10223	22k	2%	0,25W
3571	4822	051	10103	10k	2%	0,25W	3769	4822	051	10223	22k	2%	0,25W
3572	4822	051	10103	10k	2%	0,25W	3781	4822	051	10103	10k	2%	0,25W
3575	4822	051	10103	10k	2%	0,25W	3783	4822	051	10223	22k	2%	0,25W
3576	4822	051	10103	10k	2%	0,25W	3784	4822	051	10103	10k	2%	0,25W
3585	4822	051	10223	22k	2%	0,25W	3786	4822	051	10103	10k	2%	0,25W
3586	4822	051	10223	22k	2%	0,25W	3797	4822	051	10103	10k	2%	0,25W
3601	4822	051	10182	1k8	2%	0,25W	3798	4822	051	10103	10k	2%	0,25W
CAPACITORS													
2104	4822	122	10181	47pF	5%	50V	2153	5322	122	32965	18pF	5%	50V
2105	4822	125	60101	10pF	VARIABLE		2154	5322	122	32481	15pF	5%	50V
2106	4822	122	10183	100pF	5%	50V	2164	5322	122	32967	5,6pF	5%	50V
2111	4822	121	42408	220nF	5%	63V	2250	4822	124	40242	1μF	20%	63V
2117	4822	124	40246	4,7uF	20%	63V	2251	4822	124	40242	1μF	20%	63V
2118	4822	124	40242	1μF	20%	63V	2254	4822	122	10172	220pF	10%	50V
2119	4822	124	22794	47μF	20%	10V	2255	4822	122	10172	220pF	10%	50V
2121	4822	124	41987	0,22μF	20%	63V	2256	4822	122	31435	470pF	10%	50V
2122	4822	124	40239	0,47μF	20%	63V	2257	4822	122	31435	470pF	10%	50V
2123	4822	124	40239	0,47μF	20%	63V	2258	4822	124	41554	220μF	20%	10V
2124	4822	122	10177	10nF	20%	25V	2259	4822	124	41554	220μF	20%	10V
2125	4822	122	10177	10nF	20%	25V	2260	4822	124	41643	100μF	20%	16V
2126	4822	124	40239	0,47μF	20%	63V	2261	4822	124	41643	100μF	20%	16V
2127	4822	124	40248	10μF	20%	63V	2262	4822	122	10183	100pF	5%	50V
2128	4822	124	40246	4,7uF	20%	63V	2263	4822	122	10183	100pF	5%	50V
2130	4822	124	41554	220μF	20%	10V	2264	4822	122	31172	180pF	10%	500V
2135	4822	125	60102	30pF	VARIABLE		2265	4822	122	31172	180pF	10%	500V
2135	4822	125	60101	10pF	VARIABLE		2268	4822	122	10173	820pF	10%	50V
2136	4822	121	51288	100pF	2%	630V	2269	4822	122	10173	820pF	10%	50V
2139	4822	125	60102	30pF	VARIABLE		2270	4822	124	42058	33μF	20%	50V
2139	4822	125	60101	10pF	VARIABLE		2271	4822	124	42058	33μF	20%	50V
2140	4822	121	51381	560pF	1%	400V	2272	4822	122	31381	680pF	10%	50V
2140	5322	121	50999	470pF	1%	400V	2273	4822	122	31381	680pF	10%	50V
2140	4822	121	51263	510pF	1%	400V	2274	5322	122	32854	47pF	2%	500V
2142	4822	121	43253	360pF	1%	400V	2275	5322	122	32854	47pF	2%	500V
2145	4822	124	40196	220μF	20%	16V	2276	4822	124	40178	100μF	20%	10V
2146	4822	124	41631	1,5μF	20%	50V	2277	4822	124	40178	100μF	20%	10V
2149	4822	124	40242	1μF	20%	63V	2278	4822	124	41596	22μF	20%	50V
2151	4822	122	10183	100pF	5%	50V	2279	4822	124	41596	22μF	20%	50V
2152	4822	122	10181	47pF	5%	50V	2284	4822	121	41984	47nF	10%	400V

CAPACITORS													
2285	4822	121	41984	47nF	10%	400V	2286	4822	122	10176	4,7nF	10%	50V
2286	4822	122	10176	4,7nF	10%	50V	2287	4822	122	10176	4,7nF	10%	50V
2287	4822	122	10176	4,7nF	10%	50V	2288	4822	122	10176	4,7nF	10%	50V
2288	4822	122	10176	4,7nF	10%	50V	2289	4822	122	10176	4,7nF	10%	50V
2292	5322	121	42386	100nF	5%	63V	2293	4822	124	40248	10μF	20%	63V
2293	4822	124	40248	10μF	20%	63V	2295	4822	121	41922	22nF	10%	250V
2295	4822	121	41922	22nF	10%	250V	2296	4822	124	40749	3,3μF	20%	63V
2296	4822	124	40749	3,3μF	20%	63V	2297	4822	122	10166	22nF	30%	16V
2297	4822	122	10166	22nF	30%	16V	2298	4822	122	10166	22nF	30%	16V
2298	4822	122	10166	22nF	30%	16V	2299	4822	122	10166	22nF	30%	16V
2299	4822	122	10166	22nF	30%	16V	2300	4822	121	42007	100nF	10%	100V
2300	4822	121	42007	100nF	10%	100V	2301	4822	124	41993	2200μF	20%	35%
2301	4822	124	41993	2200μF	20%	35%	2302	4822	124	41993	2200μF	20%	35%
2302	4822	124	41993	2200μF	20%	35%	2303	4822	121	42007	100nF	10%	100V
2303	4822	121	42007	100nF	10%	100V	2304	4822	121	42007	100nF	10%	100V
2304	4822	121	42007	100nF	10%	100V	2305	4822	124	41993	2200μF	20%	35%
2305	4822	124	41993	2200μF	20%	35%	2306	4822	124	41993	2200μF	20%	35%
2306	4822	124	41993	2200μF	20%	35%	2307	4822	121	42007	100nF	10%	100V
2307	4822	121	42007	100nF	10%	100V	2308	4822	121	42007	100nF	10%	100V
2308	4822	121	42007	100nF	10%	100V	2309	4822	121	42007	100nF	10%	100V
2309	4822	121	42007	100nF	10%	100V	2310	4822	121	42007	100nF	10%	100V
2310	4822	121	42007	100nF	10%	100V	2311	4822	121	42007	100nF	10%	100V
2311	4822	121	42007	100nF	10%	100V	2312	4822	121	42007	100nF	10%	100V
2312	4822	121	42007	100nF	10%	100V	2313	5322	121	42491	47nF	5%	100V
2313	5322	121	42491	47nF	5%	100V	2314	5322	121	42491	47nF	5%	100V
2314	5322	121	42491	47nF	5%	100V	2315	5322	121	42491	47nF	5%	100V
2315	5322	121	42491	47nF	5%	100V	2316	4822	124	41985	3300μF	20%	35V
2316	4822	124	41985	3300μF	20%	35V	2317	5322	124	21189	100μF	20%	40V
2317	5322	124	21189	100μF	20%	40V	2318	4822	124	41643	100μF	20%	16V
2318	4822	124	41643	100μF	20%	16V	2319	4822	122	10158	1nF	10%	50V
2319	4822	122	10158	1nF	10%	50V	2320	4822	124	42057	3300μF	20%	25V
2320	4822	124	42057	3300μF	20%	25V	2321	4822	122	10166	22nF	30%	16V
2321	4822	122	10166	22nF	30%	16V	2322	4822	124	40433	47μF	20%	25V
2322	4822	124	40433	47μF	20%	25V	2323	4822	124	40242	1μF	20%	63V
2323	4822	124	40242	1μF	20%	63V	2324	4822	124	40242	1μF	20%	63V
2324	4822	124	40242	1μF	20%	63V	2326	4822	124	42056	3300μF	20%	63V
2326	4822	124	42056	3300μF	20%	63V	2327	4822	124	42056	3300μF	20%	63V
2327	4822	124	42056	3300μF	20%	63V	2328	4822	124	42056	3300μF	20%	63V
2328	4822	124	42056	3300μF	20%	63V	2329	4822	124	41509	33μF	20%	35V
2329													

HERA TUNER

MISCELLANEOUS									
DIODES									
4806	130	37438	BB804		4806	130	37047	BZX79-C4V7	
4822	130	32227	OF642						
TRANSISTORS									
4822	130	60163	2SC1047		4806	130	47042	BC548C	
4806	130	47337	2SA838B		4806	130	47332	BC338-40	
4806	130	47084	BF199		4806	130	47338	BC847C	
INTEGRATED CIRCUITS									
4806	209	87529	CXA1240P		4806	209	87525	LM7000	
4806	209	87328	AN7411						
COILS									
					5109	4822	242	71878	CERAM.RES. 450kHz
					5110	4822	526	10466	FERR.ANT.ASSY MW/LW
					5111	4822	157	60373	COIL VAR. 10,7MHz
5104	4822	157	53199	COIL VAR. FM - OSC.					
5105	4822	156	10459	COIL VAR. AM - OSC.	5113	4822	157	53447	BEAD INDUCTOR
5106	4822	157	53192	0,22μH	5114	4822	158	60509	BIRDY FILTER
5107	4822	242	72096	CER.FILT.KIT 10,7MHz					
5108	4822	158	60511	AM-IF FILTER					
RESISTORS									
3105	4822	050	23901	390R 1% 0,6W	3132	4822	050	26801	680R 1% 0,6W
3106	4822	116	52224	470R 5% 0,5W	3134	4822	050	24702	4k7 1% 0,6W
3107	4822	050	24702	4k7 1% 0,6W	3139	4822	050	24702	4k7 1% 0,6W
3111	4822	050	24703	47k 1% 0,6W	3142	4822	050	22201	220R 1% 0,6W
3114	4806	100	27026	10k TRIMPOT.	3145	4806	100	27026	10k TRIMPOT.
3116	4822	050	22201	220R 1% 0,6W	3147	4822	050	22201	220R 1% 0,6W
3117	4822	051	20103	10k 5% 0,1W	3149	4822	050	21002	1k 1% 0,6W
3120	4822	050	23903	39k 1% 0,6W	3150	4822	050	21002	1k 1% 0,6W
3125	4822	116	52921	4k7 1% 0,6W	3151	4822	050	21002	1k 1% 0,6W
3126	4822	050	22202	2k2 1% 0,6W	3153	4822	050	21002	1k 1% 0,6W
3128	4822	116	52921	4k7 1% 0,6W	3171	4822	050	26801	680R 1% 0,6W
3131	4822	050	23301	330R 2% 0,25W	3173	4822	050	21002	1k 1% 0,6W
CHIP RESISTORS									
3101	4822	051	20473	47k 5% 0,1W	3137	4822	051	20562	5k6 5% 0,1W
3102	4822	051	20333	33k 5% 0,1W	3138	4822	051	20472	4k7 5% 0,1W
3103	4822	051	20472	4k7 5% 0,1W	3140	4822	051	20102	1k 5% 0,1W
3104	4822	051	20102	1k 5% 0,1W	3141	4822	051	10103	10k 2% 0,25W
3108	4822	051	10122	1k2 2% 0,25W	3143	4822	051	10223	22k 2% 0,25W
3109	4822	051	10101	100R 2% 0,25W	3144	4822	051	20183	18k 5% 0,1W
3112	4822	051	20008	CHIP JUMPER	3146	4822	051	20472	4k7 5% 0,1W
3113	4822	051	20689	68R 5% 0,1W	3148	4822	051	10103	10k 2% 0,25W
3115	4822	051	20479	47R 5% 0,1W	3156	4822	051	20223	22k 5% 0,1W
3118	4822	051	20271	270R 5% 0,1W	3157	4822	051	20008	CHIP JUMPER
3121	4822	051	20104	100k 5% 0,1W	3158	4822	051	20104	100k 5% 0,1W
3122	4822	051	20272	2k7 5% 0,1W	3160	4822	051	20008	CHIP JUMPER
3124	4822	051	20008	CHIP JUMPER	3161	4822	051	20473	47k 5% 0,1W
3127	4822	051	20472	4k7 5% 0,1W	3162	4822	051	20479	47R 5% 0,1W
3129	4822	051	20104	100k 5% 0,1W	3163	4822	051	20562	5k6 5% 0,1W
3130	4822	051	20104	100k 5% 0,1W	3164	4822	051	20008	CHIP JUMPER
3133	4822	051	20223	22k 5% 0,1W	3170	4822	051	20008	CHIP JUMPER
3135	4822	051	10221	220R 2% 0,25W	3172	4822	051	20223	22k 5% 0,1W
3136	4822	051	20153	15k 5% 0,1W					

CAPACITORS									
2100	4822	122	31555	120pF 5% 50V	2151	4822	125	60101	10pF VARIABLE
2103	4822	125	60102	30pF VARIABLE	2152	4822	121	51288	100pF 2% 630V
2109	4822	125	60102	30pF VARIABLE	2153	4822	125	60102	30pF VARIABLE
2111	4822	125	60102	30pF VARIABLE	2155	4822	124	41631	1,5μF 20% 50V
2119	4822	124	40181	220μF 20% 10V	2158	4822	124	41396	220μF 20% 16V
2123	4822	122	31555	120pF 5% 50V	2161	4822	124	22407	4,7μF 20% 63V
2130	4822	124	41394	100μF 20% 10V	2165	4822	124	41398	1μF 20% 63V
2131	4822	124	41399	2,2μF 20% 63V	2167	4822	124	41973	100μF 20% 16V
2134	5322	121	50999	470pF 1% 400V	2168	5322	121	50999	470pF 1% 400V
2135	4822	121	43253	360pF 1% 400V	2170	4822	124	40239	0,47μF 20% 63V
2137	4822	122	10436	6,8pF 10% 50V	2172	4822	124	41987	0,22μF 20% 63V
2139	4822	122	10166	22nF 30% 16V	2173	4822	124	22407	4,7μF 20% 63V
2141	4822	122	31385	22pF 5% 50V	2176	4822	124	41398	1μF 20% 63V
2144	4822	124	40181	220μF 20% 10V	2177	4822	124	41398	1μF 20% 63V
2146	4822	122	32096	4,7pF 10% 50V	2180	5322	122	32965	18pF 5% 50V
2150	4822	121	51245	220nF 10% 63V	2182	4822	124	41398	1μF 20% 63V
CHIP CAPACITORS									
2104	5322	122	32658	22pF 5% 50V	2156	4822	122	33339	4,7nF 10% 50V
2105	5322	122	32531	100pF 5% 50V	2157	4822	122	33339	4,7nF 10% 50V
2106	4822	122	31727	470pF 5% 63V	2159	5322	122	32654	22nF 10% 63V
2107	4822	122	31727	470pF 5% 63V	2160	4822	122	31727	470pF 5% 63V
2108	4822	122	31727	470pF 5% 63V	2162	4822	122	32142	270pF 5% 63V
2112	4806	120	57012	470pF 5% 63V	2164	4822	126	10333	560pF 10% 63V
2113	4806	120	57012	470pF 5% 63V	2166	5322	122	32654	22nF 10% 63V
2114	4822	122	31974	820pF 10% 63V	2169	5322	122	32654	22nF 10% 63V
2115	5322	122	33869	15pF 5% 63V	2171	4822	122	31727	470pF 5% 63V
2116	5322	122	32658	22pF 5% 50V	2174	4822	122	33128	15nF 5% 63V
2117	4822	122	32139	12pF 5% 63V	2175	4822	122	33128	15nF 5% 63V
2118	4822	122	31971	10pF 10% 50V	2178	4822	126	10333	560pF 10% 63V
2120	5322	122	32654	22nF 10% 63V	2179	4822	122	31727	470pF 5% 63V
2124	4822	122	31727	470pF 5% 63V	2181	5322	122	33869	15pF 5% 63V
2125	5322	122	33538	150pF 5% 63V	2183	4822	122	32927	220nF 10% 63V
2126	5322	122	33538	150pF 5% 63V	2184	4822	122	31727	470pF 5% 63V
2127	5322	122	32654	22nF 10% 63V	2185	4822	122	31974	820pF 10% 63V
2128	5322	122	32661	56pF 5% 50V	2186	4822	122	31727	470pF 5% 63V
2129	5322	122	32654	22nF 10% 63V	2187	4822	122	31727	470pF 5% 63V
2132	5322	122	34123	1nF 10% 50V	2188	4822	122	31727	470pF 5% 63V
2133	4822	122	32504	15pF 5% 50V	2189	4822	122	31727	470pF 5% 63V
2136	4822	126	10388	5,6pF N750 50V	2191	5322	126	10185	3,9pF 5% 50V
2138	4822	122	32482	22pF 5% 63V	2192	4822	122	32927	220nF 10% 63V
2140	4822	122	32927	220nF 10% 63V	2193	4822	122	31974	820pF 10% 63V
2142	5322	122	32452	47pF 5% 50V	2194	4822	122	33515	82pF 5% 50V
2143	5322	122	32452	47pF 5% 50V	2195	4822	122	32927	220nF 10% 63V
2147	4822	122	31727	470pF 5% 63V	2198	5322	122	33869	15pF 5% 63V
2148	4822	122	31727	470pF 5% 63V	2199	5322	122	33538	150pF 5% 63V
2149	5322	122	33537	1,2pF 5% 63V	2200	5322	122	31647	1nF 10% 63V

NOTES: